

LISTA REZERVNIH DELOV / LISTE DER ERSATZTEILE / SPARE PARTS LIST – **CV18**

Ser.: CV00704423 → CV00705011

Ser.: CV00801093 → CV00801189

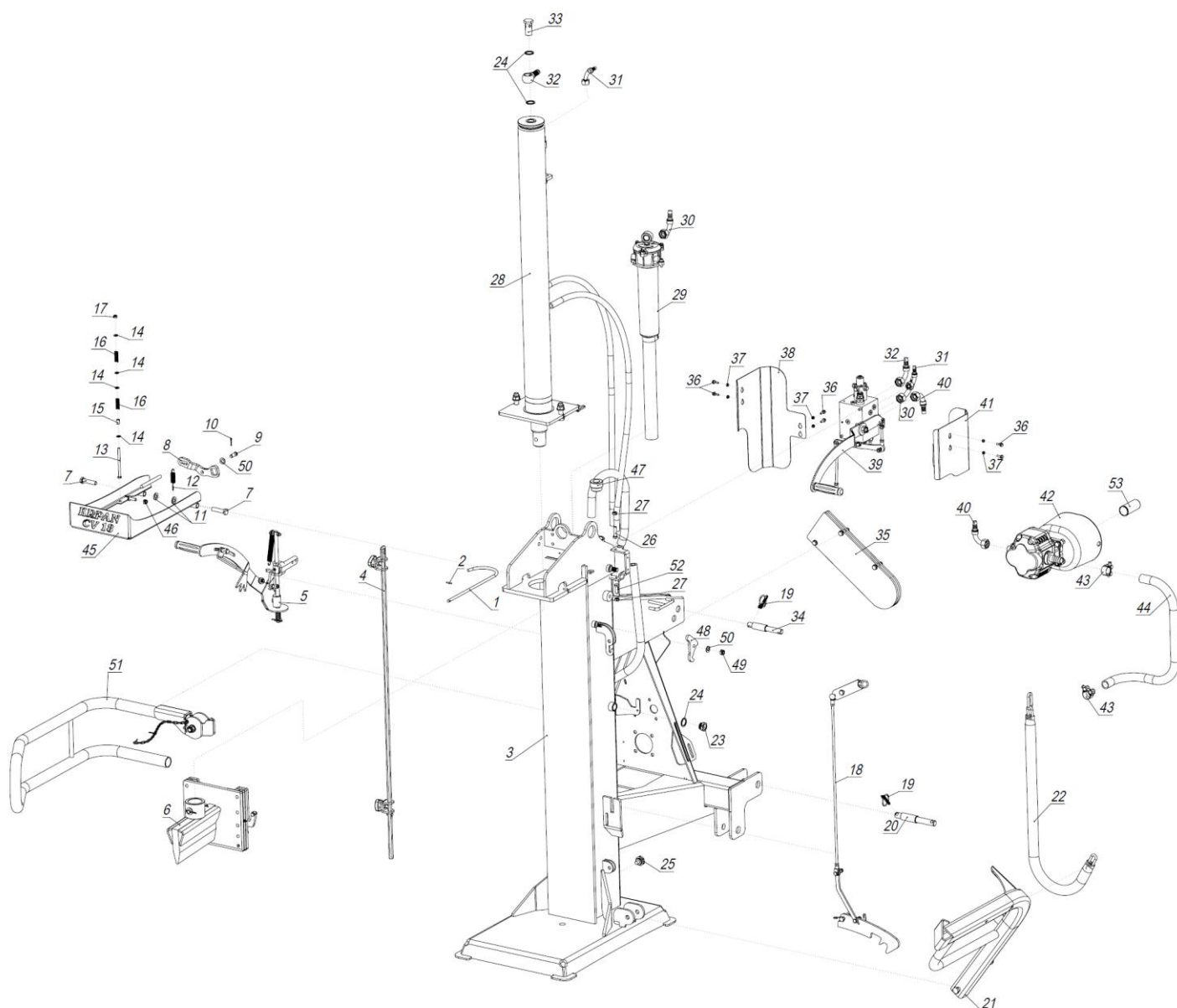
Ser.: CV00901147 → CV00901155

Info: <http://www.vitli-krpan.com/>

Vsebina / Inhalt / Contents

| | |
|---|----|
| 1. CV18 K | 2 |
| 1. Izklopna šibka / Hubbegrenzungsstange / Switch bar | 4 |
| 2. Sekira / Spaltmesser / Splitting Wedge | 5 |
| 3. Prijemalo levo / Greifhebel links / Log Holder Lever left | 6 |
| 4. Vzvod zaklepa pobiralne roke / Stammheber Rasthebel / Log Lift Stop Lever | 7 |
| 5. Dvižna roka / Stammheber / Log Lift | 8 |
| 6. Cepilni cilinder / Spaltzylinder / Splitting Cylinder | 9 |
| 7. Oljni filter / Ölfilter / Oil Filter | 10 |
| 8. Nosilec motorke / Motorsägehalterung / Chainsaw Holder | 11 |
| 9. Prijemalo desno K / Greifhebel rechts K / Log Holder Lever right K | 12 |
| 10. Črpalka / Pumpe / Pump | 13 |
| 11. Opora stranska / Seitenunterstützung / Side Support | 13 |
| 2. CV18 E | 14 |
| 1. Pogon črpalke E / Pumpenantrieb E / Pump Drive E | 15 |
| 2. Vlečni pripomoček / Fahrwerk mit Zughebel / Wheels with Pulling Handle | 16 |
| 3. CV18 EK | 17 |
| 1. Prijemalo desno E, EK / Greifhebel rechts E, EK / Log Holder Lever right E, EK | 18 |
| 2. Loputa / Klappe / Flap | 19 |
| 3. Pogon črpalke EK / Pumpenantrieb EK / Pump Drive EK | 20 |
| 4. Črpalka EK / Pumpe EK / Pump EK | 21 |
| 4. Miza / Tisch / Table | 22 |
| 5. Pomožna miza dviga / Zusätzliche Hubvorrichtungplatte / Lifting device plate | 23 |
| 6. Hidravlični vitel / Hydraulische Winde / Hydraulic Winch | 24 |
| 1. Klešče / Zange / Tongs | 26 |
| 7. Mehanski vitel / Mechanische Winde / Mechanical Winch | 28 |
| 1. Vitel / Winde / Winch | 30 |
| 2. Zategovalec verige / Kettetraffer / Chain Band Tensioner | 32 |
| 3. Drog vitla / Windenstange / Winch Bar | 33 |
| 3.1 Mehanizem / Mechanismus / Mechanism | 34 |

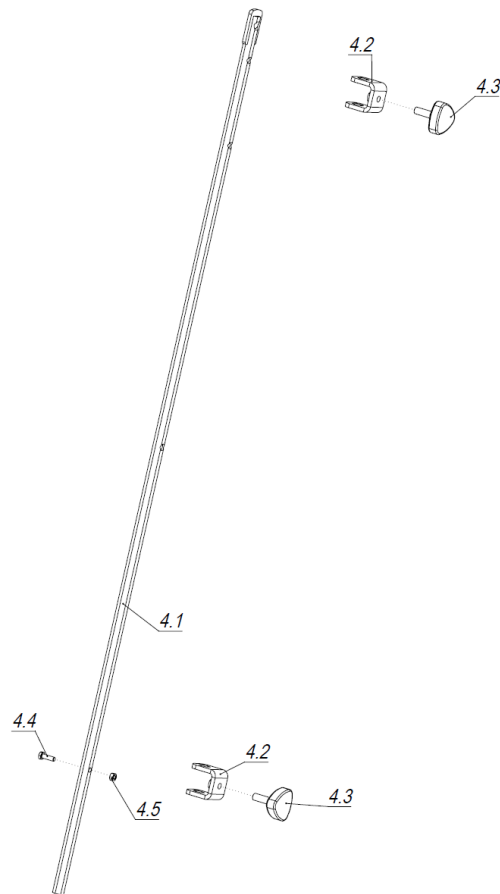
1. CV18 K



| 30000924 Cepilec CV18 K | | | CV18 K | CV18 K |
|-------------------------|------------|----------------|----------------------|-----------------------|
| Poz. | Šifra/Code | Opis | DE | EN |
| 1 | 300009857 | Nosilec | Träger | Holder |
| 2 | 200000584 | Zatič | Stift | Pin |
| 3 | 300009923 | Steber | Säule | Column |
| 4 | 300009531 | Izklopna šibka | Hubbegrenzungsstange | Switch bar |
| 5 | 300009497 | Prijemalo levo | Greifhebel links | Log Holder Lever left |
| 6 | 300009871 | Sekira | Spaltnmesser | Splitting Wedge |
| 7 | 200000446 | Vijak | Schraube | Screw |
| 8 | 300009911 | Triklc izklopa | Schaltstange | Switch Bar |
| 9 | 300009854 | Sornik | Bolzen | Pin |
| 10 | 200000563 | Razcepka | Splinte | Cotter Pin |
| 11 | 200000552 | Podložka | Unterlegscheibe | Washer |
| 12 | 200000106 | Vzmet | Feder | Spring |
| 13 | 200000356 | Vijak | Schraube | Screw |
| 14 | 200000540 | Podložka | Unterlegscheibe | Washer |
| 15 | 300009858 | Distančnik | Abstandhalter | Spacer |
| 16 | 200000622 | Vzmet | Feder | Spring |

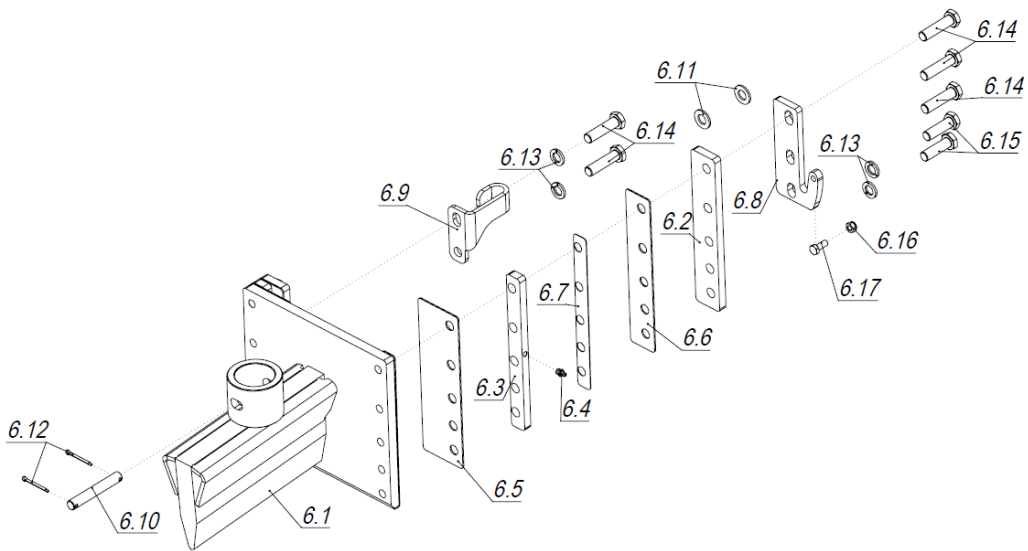
| | | | | |
|----|-----------|------------------------------|----------------------|--------------------------|
| 17 | 20000503 | Matica | Mutter | Nut |
| 18 | 300009450 | Vzvod zaklepa pobiralne roke | Stammheber Rasthebel | Log Lift Stop Lever |
| 19 | 200001045 | Varovalo | Sicherung | Protection |
| 20 | 300001990 | Sornik | Bolzen | Pin |
| 21 | 300010586 | Dvižna roka | Stammheber | Log Lift |
| 22 | 300009877 | Veriga | Kette | Chain |
| 23 | 200001674 | Kukalo | Öfenster | Oil level Indicator |
| 24 | 200000685 | Tesnilo | Dichtung | Seal |
| 25 | 200002273 | Oljni zamašek | Ölstopfen | Oil Plug |
| 26 | 200000388 | Vijak | Schraube | Screw |
| 27 | 200000505 | Matica | Mutter | Nut |
| 28 | 300009909 | Cepilni cilinder | Spaltzylinder | Splitting Cylinder |
| 29 | 300013343 | Oljni filter | Ölfilter | Oil Filter |
| 30 | 200001114 | Hidravlična cev | Hydraulikschlauch | Hydraulic Pipe |
| 31 | 200003748 | Hidravlična cev | Hydraulikschlauch | Hydraulic Pipe |
| 32 | 200003747 | Hidravlična cev | Hydraulikschlauch | Hydraulic Pipe |
| 33 | 200004813 | Vijak votli | Hohlschraube | Hollow Screw |
| 34 | 300009856 | Sornik | Bolzen | Pin |
| 35 | 300010127 | Nosilec motorke | Motorsägehalterung | Chainsaw Holder |
| 36 | 200005265 | Vijak | Schraube | Screw |
| 37 | 200000500 | Matica | Mutter | Nut |
| 38 | 300009372 | Zaščita | Schutz | Protection |
| 39 | 300014566 | Prijemalo desno K | Greifhebel rechts K | Log Holder Lever right K |
| 40 | 200001072 | Hidravlična cev | Hydraulikschlauch | Hydraulic Pipe |
| 41 | 300009364 | Zaščita | Schutz | Protection |
| 42 | 300009915 | Črpalka | Pumpe | Pump |
| 43 | 200003305 | Objemka | Klemme | Buckle |
| 44 | 200005015 | Cev | Rohr | Pipe |
| 45 | 300009914 | Maska | Maske | Mask |
| 46 | 200000506 | Matica | Mutter | Nut |
| 47 | 200001672 | Pokrov | Deckel | Cover |
| 48 | 300009362 | Varovalo | Sicherung | Protection |
| 49 | 200000510 | Matica | Mutter | Nut |
| 50 | 200000548 | Podložka | Unterlegscheibe | Washer |
| 51 | 300010585 | Opora stranska | Seitenunterstützung | Side Support |
| 52 | 200000385 | Vijak | Schraube | Screw |
| 53 | 200000041 | Zaščita | Schutz | Protection |

1. Izklopna šibka / Hubbegrenzungsstange / Switch bar



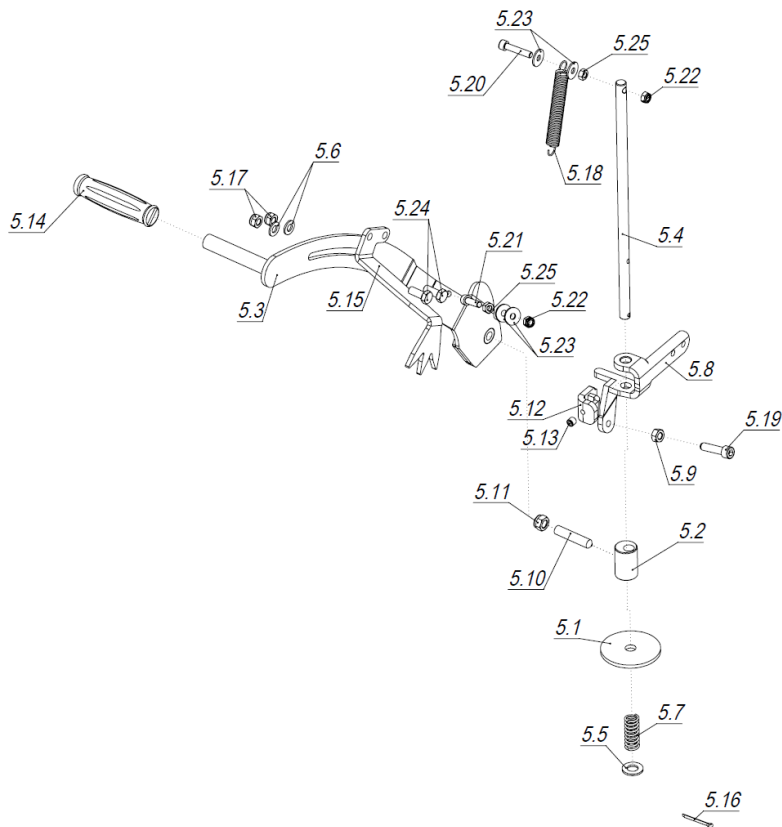
| 30009531 Izklopna šibka | | | Hubbegrenzungsstange | Switch bar |
|-------------------------|------------|--------------|----------------------|--------------|
| Poz. | Šifra/Code | Opis | DE | EN |
| 4.1 | 30009526 | Šibka | Stange | Bar |
| 4.2 | 30009505 | Izklopni kos | Schaltstück | Switch Piece |
| 4.3 | 200005155 | Vijak | Schraube | Screw |
| 4.4 | 200000348 | Vijak | Schraube | Screw |
| 4.5 | 200000499 | Matica | Mutter | Nut |

2. Sekira / Spaltnesser / Splitting Wedge



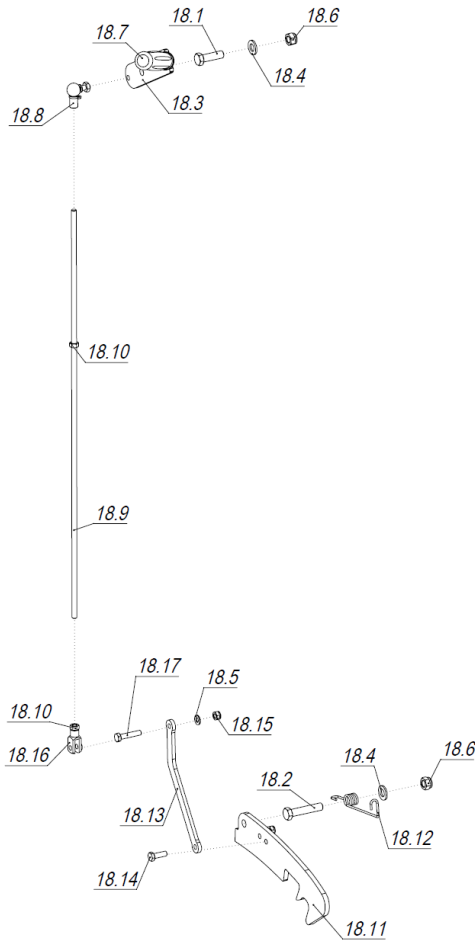
| 300009871 Sekira | | | Spaltnesser | Splitting Wedge |
|------------------|------------|----------------|-----------------|--------------------|
| Poz. | Šifra/Code | Opis | DE | EN |
| 6.1 | 300009870 | Sekira | Spaltnesser | Wedge |
| 6.2 | 300009853 | Plošča | Platte | Plate |
| 6.3 | 300009852 | Plošča | Platte | Plate |
| 6.4 | 200000602 | Mazalka | Schmiernippel | Lubrication Nipple |
| 6.5 | 300010128 | Drсна plošča | Gleitplatte | Sliding Plate |
| 6.6 | 300009850 | Drсна plošča | Gleitplatte | Sliding Plate |
| 6.7 | 300009846 | Plošča | Platte | Plate |
| 6.8 | 300009845 | Obešalo verige | Kettenhänger | Chain Hook |
| 6.9 | 300009835 | Vodilo | Führung | Guide |
| 6.10 | 300009808 | Zatič | Stift | Pin |
| 6.11 | 200000552 | Podložka | Unterlegscheibe | Washer |
| 6.12 | 200002574 | Razcepka | Splinte | Cotter Pin |
| 6.13 | 200000553 | Podložka | Unterlegscheibe | Washer |
| 6.14 | 200000445 | Vijak | Schraube | Screw |
| 6.15 | 200000443 | Vijak | Schraube | Screw |
| 6.16 | 200000503 | Matica | Mutter | Nut |
| 6.17 | 200000361 | Vijak | Schraube | Screw |
| 6.5-6.7 | S00000052 | Set vodil | Führungen - Set | Guides Set |

3. Prijemalo levo / Greifhebel links / Log Holder Lever left



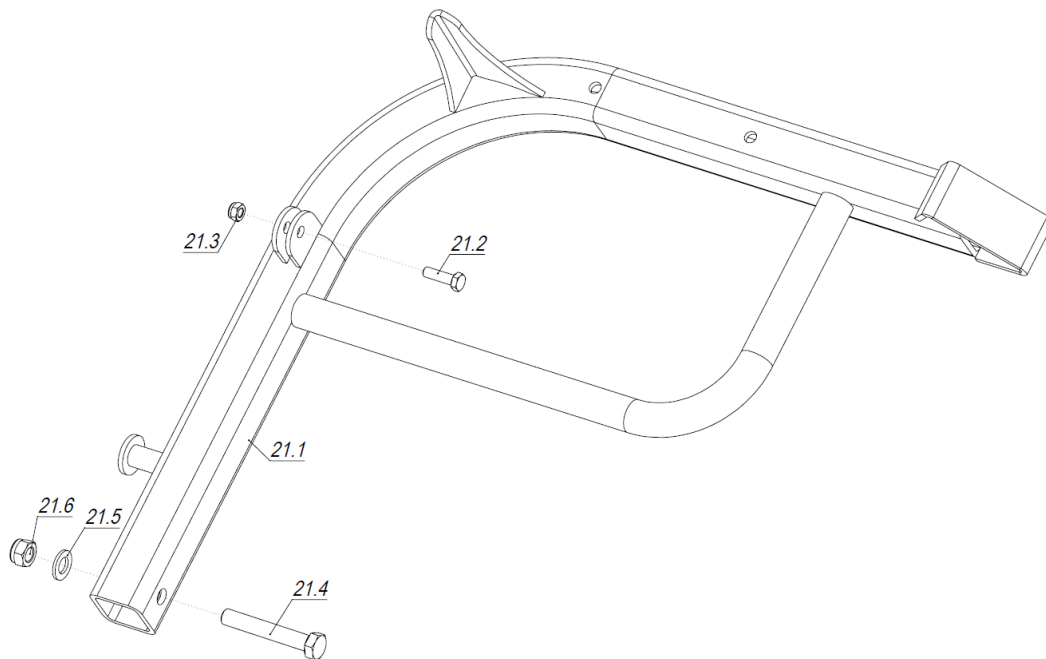
| 300009497 Prijemalo levo | | | Greifhebel links | Log Holder Lever left |
|--------------------------|------------|-------------------|------------------|-----------------------|
| Poz. | Šifra/Code | Opis | DE | EN |
| 5.1 | 300009480 | Drsna plastika | Gleitscheibe | Sliding Plate |
| 5.2 | 300009476 | Nastavitev vklopa | Hülse | Switch Adjustment |
| 5.3 | 300009473 | Ročaj | Schalthebel | Switch Lever |
| 5.4 | 300009484 | Štangica vklopa | Schaltstange | Switch Bar |
| 5.5 | 200000552 | Podložka | Unterlegscheibe | Washer |
| 5.6 | 200000545 | Podložka | Unterlegscheibe | Washer |
| 5.7 | 200000623 | Vzmet | Feder | Spring |
| 5.8 | 300009466 | Vodilo | Führung | Guide |
| 5.9 | 200000505 | Matica | Mutter | Nut |
| 5.10 | 200000425 | Vijak | Schraube | Screw |
| 5.11 | 200000510 | Matica | Mutter | Nut |
| 5.12 | 300010126 | Omejevalo | Begrenzer | Limiter |
| 5.13 | 200000378 | Vijak | Schraube | Screw |
| 5.14 | 200000168 | Ročaj | Griff | Grip |
| 5.15 | 300009483 | Pridržalo polen | Niederhalter | Log Holder |
| 5.16 | 200002574 | Razcepka | Splinte | Cotter Pin |
| 5.17 | 200000506 | Matica | Mutter | Nut |
| 5.18 | 200000621 | Vzmet | Feder | Spring |
| 5.19 | 200004715 | Vijak | Schraube | Screw |
| 5.20 | 200000368 | Vijak | Schraube | Screw |
| 5.21 | 200000367 | Vijak | Schraube | Screw |
| 5.22 | 200000503 | Matica | Mutter | Nut |
| 5.23 | 200000541 | Podložka | Unterlegscheibe | Washer |
| 5.24 | 200000381 | Vijak | Schraube | Screw |
| 5.25 | 200000502 | Matica | Mutter | Nut |

4. Vzvod zaklepa pobiralne roke / Stammheber Rasthebel / Log Lift Stop Lever



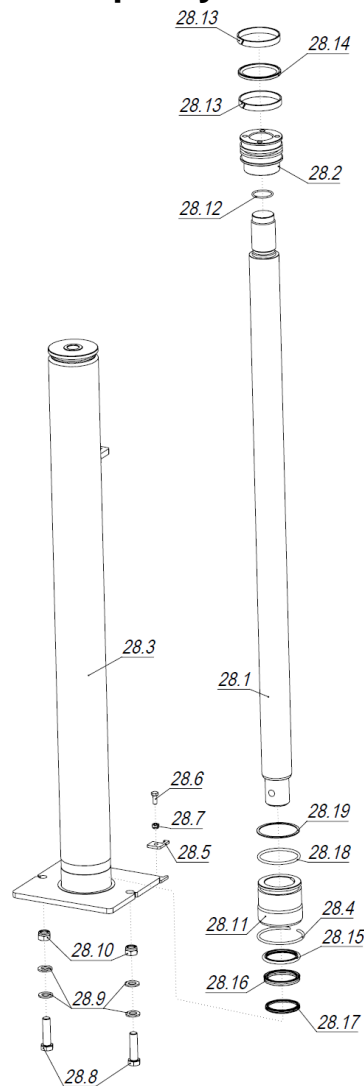
| 300009450 Vzvod zaklepa pobiralne roke | | | Stammheber Rasthebel | Log Lift Stop Lever |
|--|------------|--------------------|--------------------------|---------------------|
| Poz. | Šifra/Code | Opis | DE | EN |
| 18.1 | 200003906 | Vijak | Schraube | Screw |
| 18.2 | 200000424 | Vijak | Schraube | Screw |
| 18.3 | 300009442 | Izklop zapirala | Sperrauschaltmechanismus | Stop Switch Lever |
| 18.4 | 200000548 | Podložka | Unterlegscheibe | Washer |
| 18.5 | 200000540 | Podložka | Unterlegscheibe | Washer |
| 18.6 | 200000510 | Matica | Mutter | Nut |
| 18.7 | 200000168 | Ročaj | Griff | Grip |
| 18.8 | 200000929 | Zglob | Gelenk | Joint |
| 18.9 | 300009435 | Navojna palica | Gewindestange | Thread Rod |
| 18.10 | 200000502 | Matica | Mutter | Nut |
| 18.11 | 300009444 | Zaklep dvižne roke | Stammhebersperre | Log Lift Stop |
| 18.12 | 200000626 | Vzmet | Feder | Spring |
| 18.13 | 300009440 | Ročica | Hebel | Lever |
| 18.14 | 200000365 | Vijak | Schraube | Screw |
| 18.15 | 200000503 | Matica | Mutter | Nut |
| 18.16 | 200001884 | Vilice | Gabel | Fork |
| 18.17 | 200000951 | Vijak | Schraube | Screw |

5. Dvižna roka / Stammheber / Log Lift



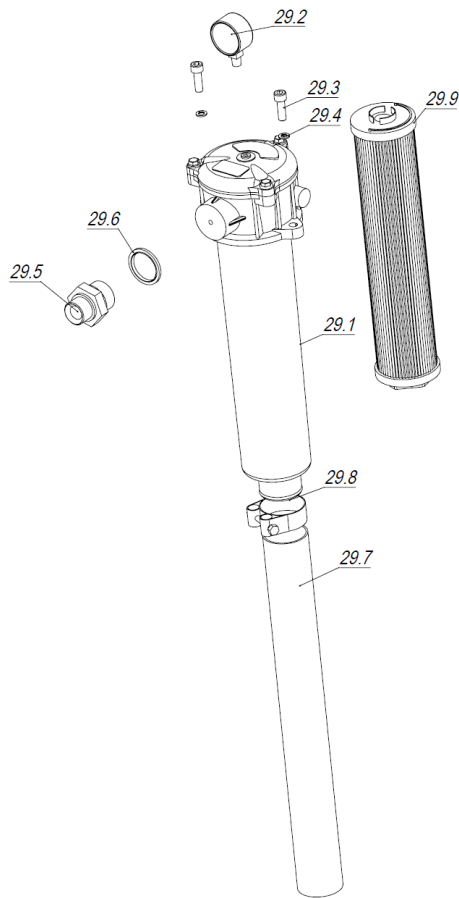
| 300010586 Dvižna roka | | | Stammheber | Log Lift |
|------------------------------|------------|-------------|-------------------|-----------------|
| Poz. | Šifra/Code | Opis | DE | EN |
| 21.1 | 300009866 | Dvižna roka | Stammheber | Log Lift |
| 21.2 | 200000386 | Vijak | Schraube | Screw |
| 21.3 | 200000506 | Matica | Mutter | Nut |
| 21.4 | 200005712 | Vijak | Schraube | Screw |
| 21.5 | 200000555 | Podložka | Unterlegscheibe | Washer |
| 21.6 | 200000523 | Matica | Mutter | Nut |

6. Cepilni cilinder / Spaltzylinder / Splitting Cylinder



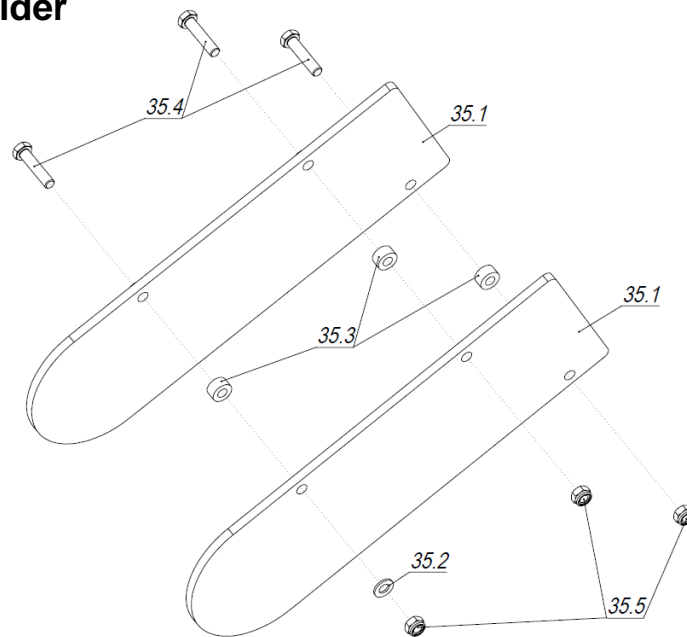
| 300009909 Cepilni cilinder | | | Spaltzylinder | Splitting Cylinder |
|----------------------------|------------|------------|------------------|--------------------|
| Poz. | Šifra/Code | Opis | DE | EN |
| 28.1 | 300009908 | Batnica | Kolbenstange | Piston Rod |
| 28.2 | 300009907 | Bat | Kolben | Piston |
| 28.3 | 300009906 | Cev | Rohr | Pipe |
| 28.4 | 200002012 | Obroč | Ring | Ring |
| 28.5 | 300009573 | Uho | Öse | Loop |
| 28.6 | 200000361 | Vijak | Schraube | Screw |
| 28.7 | 200000503 | Matica | Mutter | Nut |
| 28.8 | 200000458 | Vijak | Schraube | Screw |
| 28.9 | 200000555 | Podložka | Unterlegscheibe | Washer |
| 28.10 | 200000523 | Matica | Mutter | Nut |
| 28.11 | 300009899 | Puša | Büchse | Bushing |
| 28.12 | 200001520 | Tesnilo | Dichtung | Seal |
| 28.13 | 200001973 | Vodilo | Führung | Guide |
| 28.14 | 200001974 | Tesnilo | Dichtung | Seal |
| 28.15 | 200001970 | Tesnilo | Dichtung | Seal |
| 28.16 | 200001969 | Tesnilo | Dichtung | Seal |
| 28.17 | 200001968 | Brisalec | Wischer | Wiper |
| 28.18 | 200001972 | Tesnilo | Dichtung | Seal |
| 28.19 | 200001971 | Tesnilo | Dichtung | Seal |
| 28.4, 28.12- 28.19 | S00000064 | Set tesnil | Dichtungen – Set | Seals Set |

7. Oljni filter / Ölfilter / Oil Filter



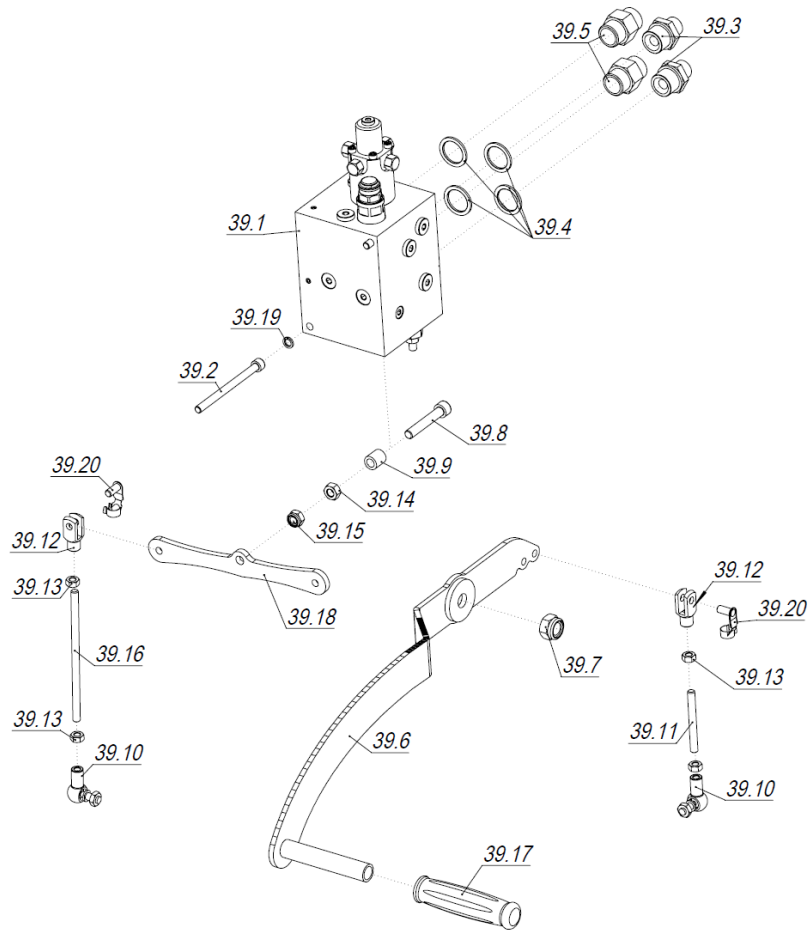
| 300013343 Oljni filter | | | Ölfilter | Oil Filter |
|------------------------|------------|---------------|-----------------|----------------|
| Poz. | Šifra/Code | Opis | DE | EN |
| 29.1 | 200005129 | Filter olja | Ölfilter | Oil filter |
| 29.2 | 200005131 | Manometer | Manometer | Pressure Gauge |
| 29.3 | 200000363 | Vijak | Schraube | Screw |
| 29.4 | 200000538 | Podložka | Unterlegscheibe | Washer |
| 29.5 | 200001089 | Priključek | Anschluss | Coupling |
| 29.6 | 200000943 | Tesnilo | Dichtung | Seal |
| 29.7 | 200006554 | Cev | Rohr | Pipe |
| 29.8 | 200006553 | Objemka | Klemme | Buckle |
| 29.9 | 200005130 | Vložek filtra | Filtereinsatz | Filter Insert |

8. Nosilec motorke / Motorsägehalterung / Chainsaw Holder



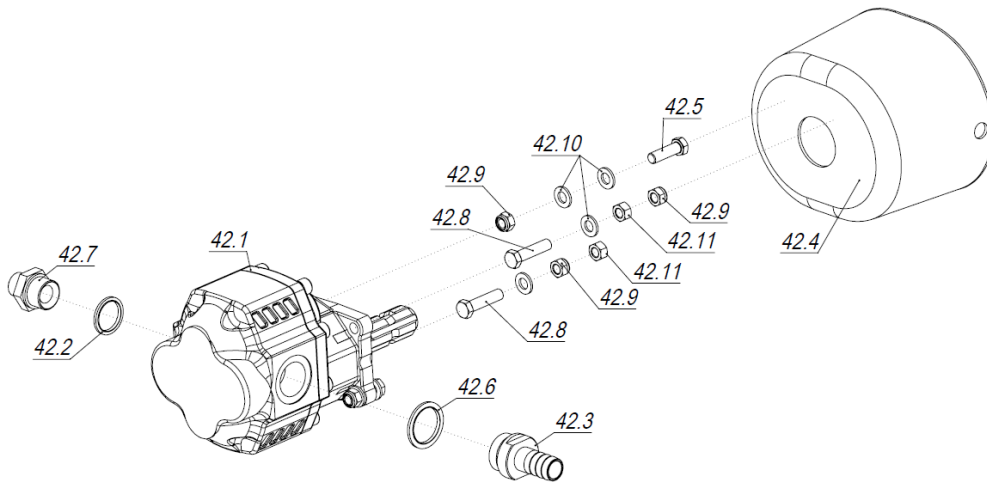
| 300010127 Nosilec motorke | | | Motorsägehalterung | Chainsaw Holder |
|---------------------------|------------|----------|--------------------|-----------------|
| Poz. | Šifra/Code | Opis | DE | EN |
| 35.1 | 300007040 | Nosilec | Träger | Holder |
| 35.2 | 200000545 | Podložka | Unterlegscheibe | Washer |
| 35.3 | 200001035 | Puša | Büchse | Bushing |
| 35.4 | 200000390 | Vijak | Schraube | Screw |
| 35.5 | 200000506 | Matica | Mutter | Nut |

9. Prijemalo desno K / Greifhebel rechts K / Log Holder Lever right K



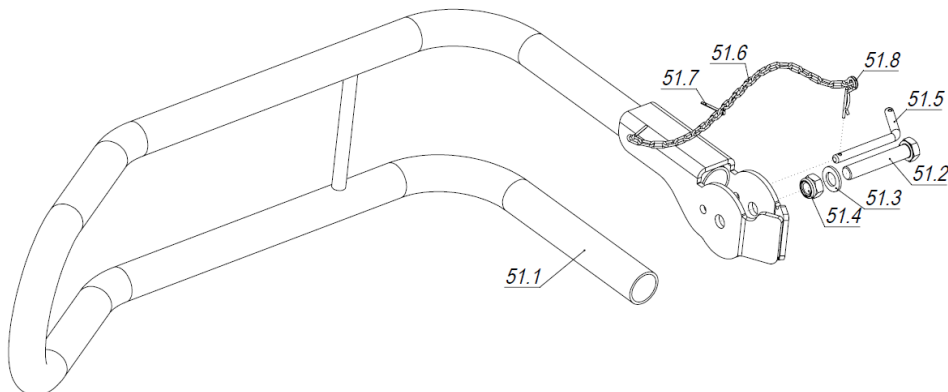
| 300014566 Prijemalo desno K | | | Greifhebel rechts K | Log Holder Lever right K |
|-----------------------------|------------|----------------|---------------------|--------------------------|
| Poz. | Šifra/Code | Opis | DE | EN |
| 39.1 | 200000086 | Ventil | Ventil | Valve |
| 39.2 | 200000355 | Vijak | Schraube | Screw |
| 39.3 | 200002272 | Priključek | Anschluss | Coupling |
| 39.4 | 200000685 | Tesnilo | Dichtung | Seal |
| 39.5 | 200000836 | Priključek | Anschluss | Coupling |
| 39.6 | 300009406 | Ročka | Schalthebel | Switch Lever |
| 39.7 | 200000523 | Matica | Mutter | Nut |
| 39.8 | 200000396 | Vijak | Schraube | Screw |
| 39.9 | 300009420 | Distančnik | Abstandhalter | Spacer |
| 39.10 | 200000929 | Zglob | Gelenk | Joint |
| 39.11 | 300009541 | Navojna palica | Gewindestange | Thread Rod |
| 39.12 | 200001884 | Vilice | Gabel | Fork |
| 39.13 | 200000502 | Matica | Mutter | Nut |
| 39.14 | 200000505 | Matica | Mutter | Nut |
| 39.15 | 200000506 | Matica | Mutter | Nut |
| 39.16 | 300009543 | Navojna palica | Gewindestange | Thread Rod |
| 39.17 | 200000168 | Ročaj | Griff | Grip |
| 39.18 | 300009409 | Ploščica | Platte | Plate |
| 39.19 | 200000542 | Podložka | Unterlegscheibe | Washer |
| 39.20 | 200004595 | Sornik | Bolzen | Pin |

10. Črpalka / Pumpe / Pump



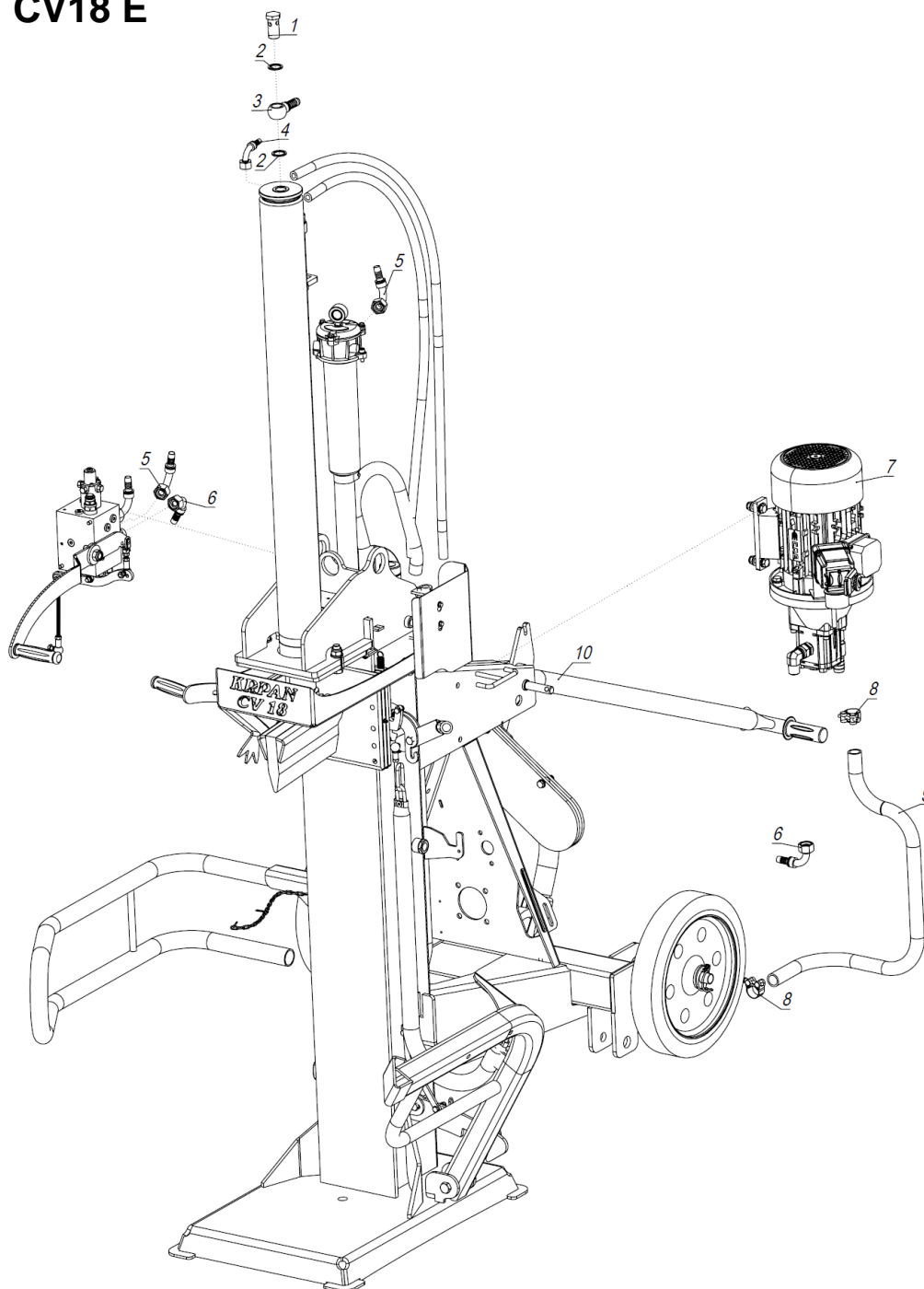
| 300009915 Črpalka | | | Pumpe | Pump |
|-------------------|------------|------------|-----------------|-----------|
| Poz. | Šifra/Code | Opis | DE | EN |
| 42.1 | 200000262 | Črpalka | Pumpe | Pump |
| 42.2 | 200000943 | Tesnilo | Dichtung | Seal |
| 42.3 | 300009555 | Priključek | Anschluss | Coupling |
| 42.4 | 200000100 | Kapa PVC | Guard PVC | Guard PVC |
| 42.5 | 200003906 | Vijak | Schraube | Screw |
| 42.6 | 200001090 | Tesnilo | Dichtung | Seal |
| 42.7 | 200001089 | Priključek | Anschluss | Coupling |
| 42.8 | 200000421 | Vijak | Schraube | Screw |
| 42.9 | 200000510 | Matica | Mutter | Nut |
| 42.10 | 200000548 | Podložka | Unterlegscheibe | Washer |
| 42.11 | 200000509 | Matica | Mutter | Nut |

11. Opora stranska / Seitenunterstützung / Side Support



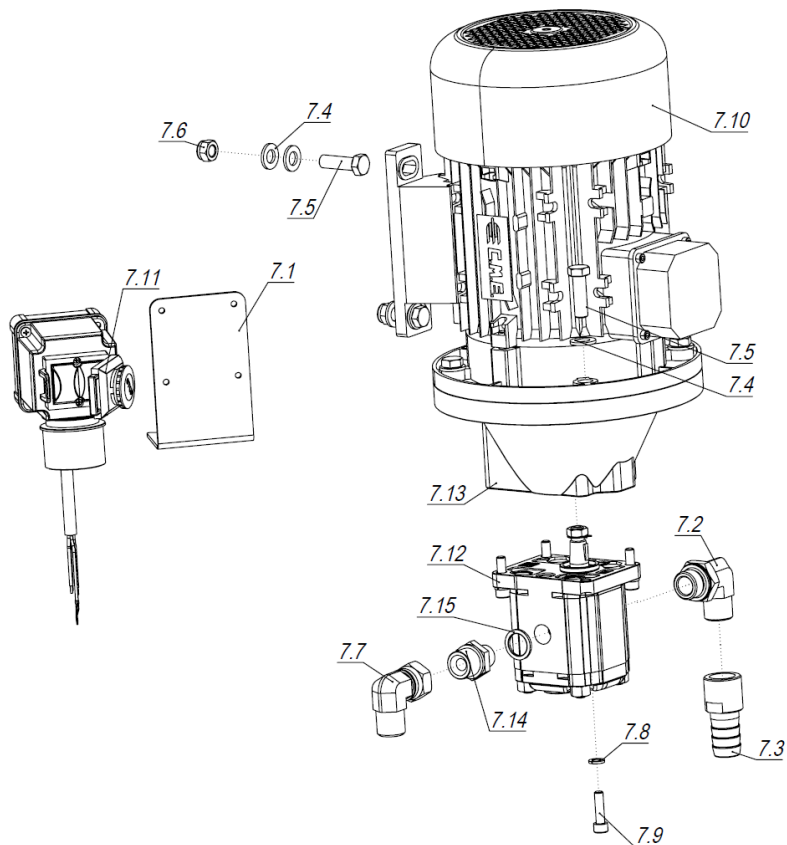
| 300010585 Opora stranska | | | Seitenunterstützung | Side Support |
|--------------------------|------------|----------------|---------------------|---------------------|
| Poz. | Šifra/Code | Opis | DE | EN |
| 51.1 | 300009347 | Odlagalna roka | Begrenzungsarm | Side Support Handle |
| 51.2 | 200005711 | Vijak | Schraube | Screw |
| 51.3 | 200000555 | Podložka | Unterlegscheibe | Washer |
| 51.4 | 200000523 | Matica | Mutter | Nut |
| 51.5 | 300009855 | Zatič | Stift | Pin |
| 51.6 | 200006807 | Veriga | Kette | Chain |
| 51.7 | 200000563 | Razcepka | Splinte | Cotter Pin |
| 51.8 | 200001603 | Zatič | Stift | Pin |

2. CV18 E



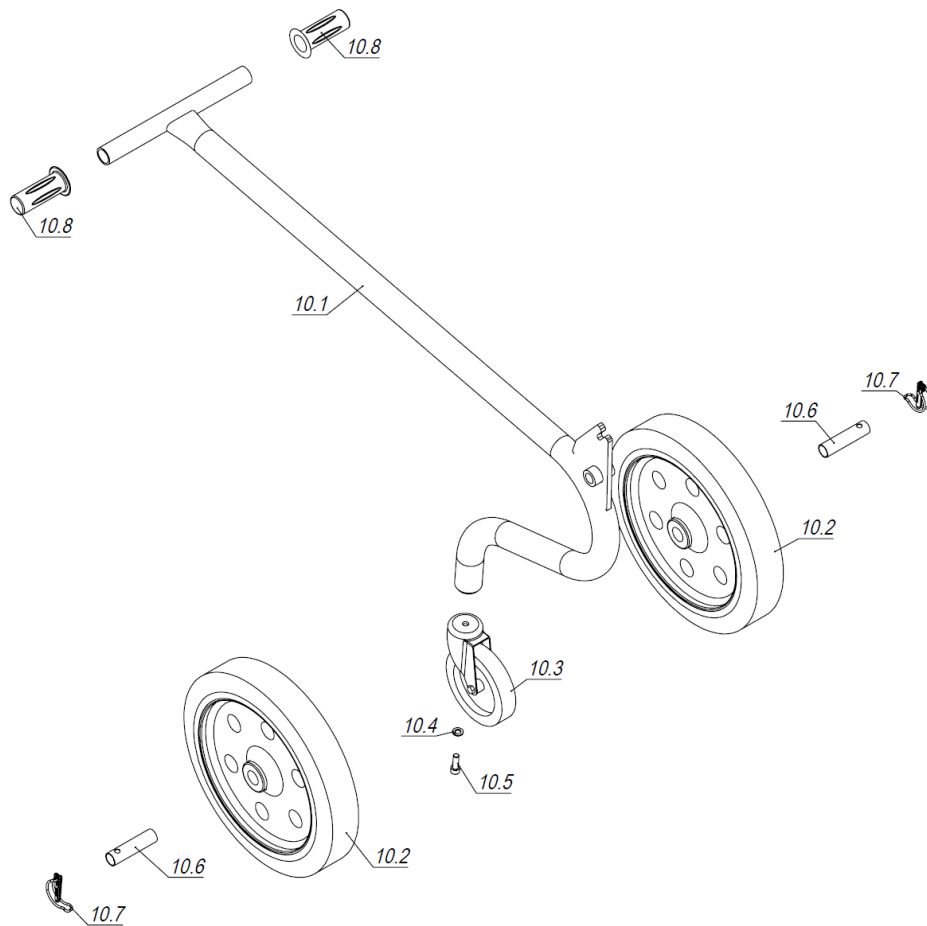
| 30000944 Cepilec CV18 E | | | CV 18 E | CV 18 E |
|-------------------------|------------|-------------------|-----------------------|----------------------------|
| Poz. | Šifra/Code | Opis | DE | EN |
| 1 | 200004813 | Vijak votli | Hohlschraube | Hollow Screw |
| 2 | 200000685 | Tesnilo | Dichtung | Seal |
| 3 | 200003747 | Hidravlična cev | Hydraulikschlauch | Hydraulic Pipe |
| 4 | 200003748 | Hidravlična cev | Hydraulikschlauch | Hydraulic Pipe |
| 5 | 200001114 | Hidravlična cev | Hydraulikschlauch | Hydraulic Pipe |
| 6 | 200001072 | Hidravlična cev | Hydraulikschlauch | Hydraulic Pipe |
| 7 | 300010590 | Pogon črpalke E | Pumpenantrieb E | Pump Drive E |
| 8 | 200003305 | Objemka | Klemme | Buckle |
| 9 | 200005015 | Cev | Rohr | Pipe |
| 10 | 300011243 | Vlečni pripomoček | Fahrwerk mit Zughebel | Wheels with Pulling Handle |

1. Pogon črpalke E / Pumpentrieb E / Pump Drive E



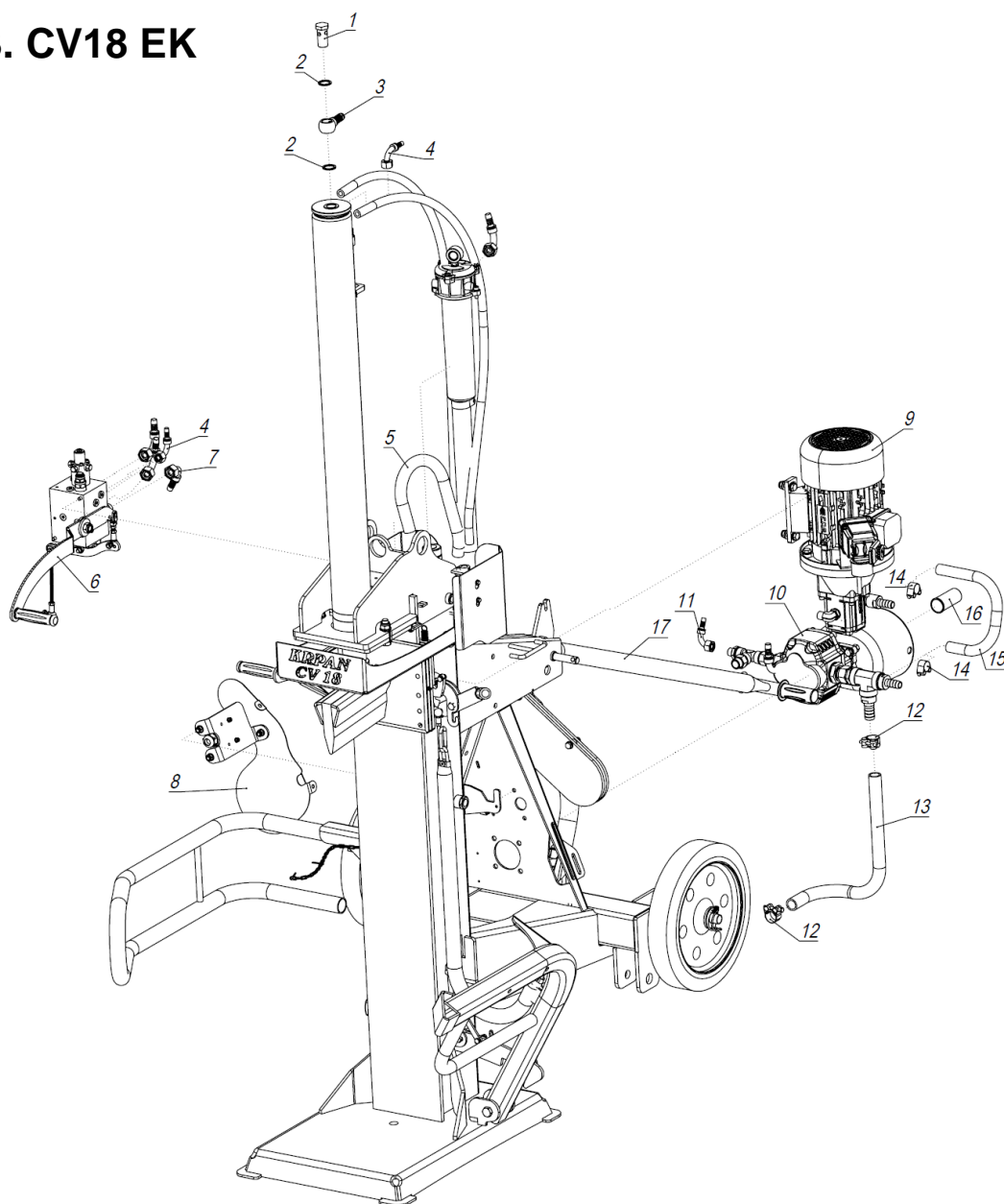
| 300010590 Pogon črpalke E | | | Pumpentrieb E | Pump Drive E |
|---------------------------|------------|------------|-----------------|--------------|
| Poz. | Šifra/Code | Opis | DE | EN |
| 7.1 | 300010589 | Nosilec | Träger | Holder |
| 7.2 | 200000983 | Priključek | Anschluss | Coupling |
| 7.3 | 300010588 | Priključek | Anschluss | Coupling |
| 7.4 | 200000548 | Podložka | Unterlegscheibe | Washer |
| 7.5 | 200003906 | Vijak | Schraube | Screw |
| 7.6 | 200000510 | Matica | Mutter | Nut |
| 7.7 | 200001786 | Priključek | Anschluss | Coupling |
| 7.8 | 200000539 | Podložka | Unterlegscheibe | Washer |
| 7.9 | 200000367 | Vijak | Schraube | Screw |
| 7.10 | 200006519 | El. motor | El. motor | El. motor |
| 7.11 | 200000172 | Stikalo | Schalter | Switch |
| 7.12 | 200000125 | Črpalka | Pumpe | Pump |
| 7.13 | 200006522 | Prirobnica | Flansche | Flange |
| 7.14 | 200002272 | Priključek | Anschluss | Coupling |
| 7.15 | 200001911 | Tesnilo | Dichtung | Seal |

2. Vlečni pripomoček / Fahrwerk mit Zughebel / Wheels with Pulling Handle



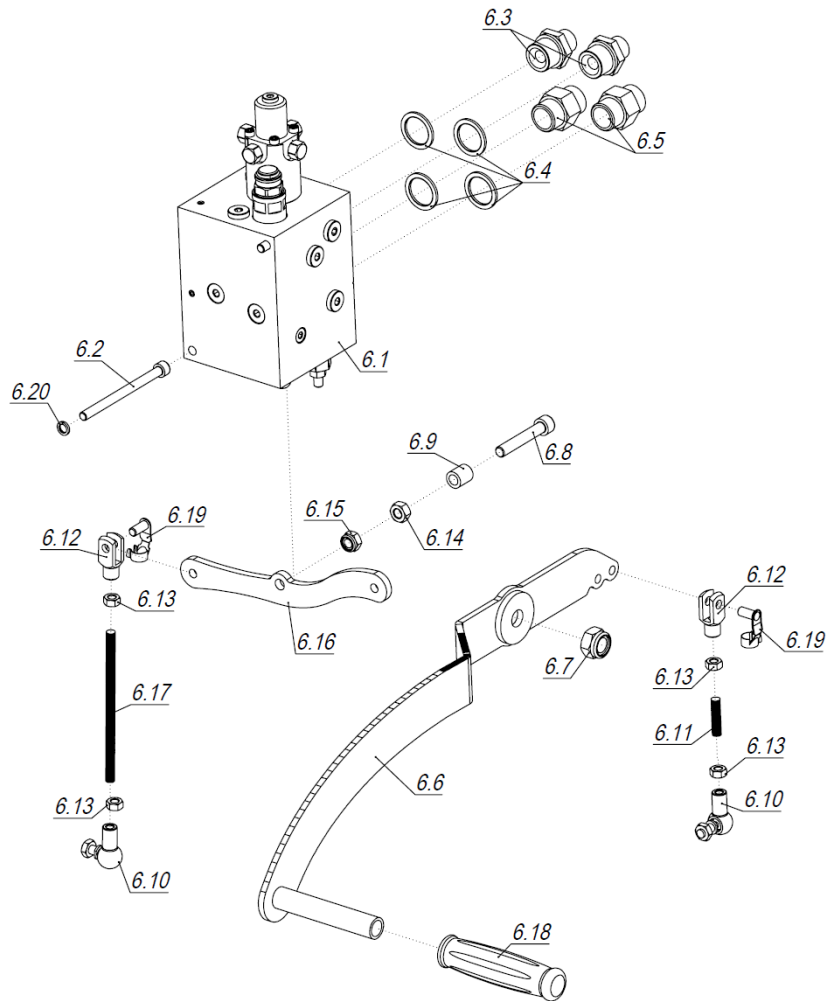
| 300011243 Vlečni pripomoček | | | Fahrwerk mit Zughebel | Wheels with Pulling Handle |
|-----------------------------|------------|----------|--------------------------|-------------------------------|
| Poz. | Šifra/Code | Opis | DE | EN |
| 10.1 | 300011242 | Drog | Zughebel | Pulling Handle |
| 10.2 | 200005498 | Kolo | Rad | Wheel |
| 10.3 | 200000668 | Kolo | Rad | Wheel |
| 10.4 | 200000547 | Podložka | Unterlegscheibe | Washer |
| 10.5 | 200000383 | Vijak | Schraube | Screw |
| 10.6 | 300011221 | Puša | Büchse | Bushing |
| 10.7 | 200006762 | Zatič | Stift | Pin |
| 10.8 | 200002278 | Ročaj | Griff | Handle |

3. CV18 EK



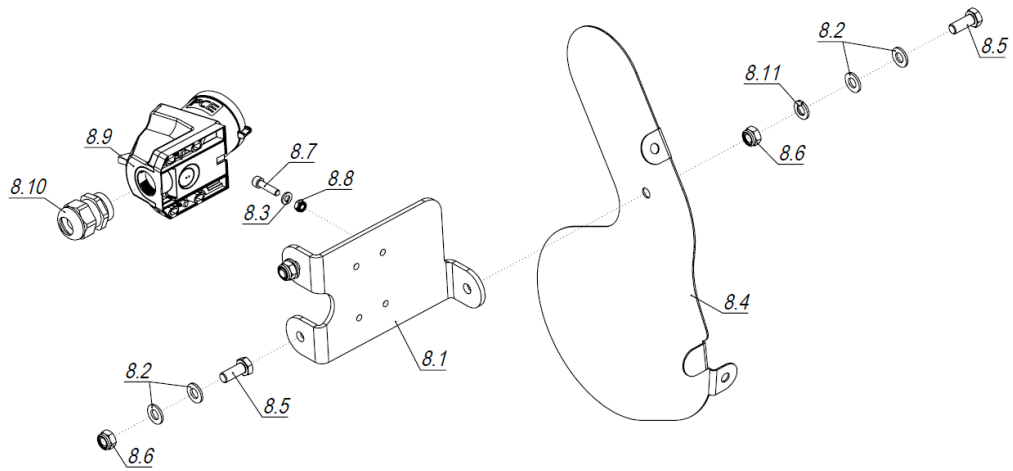
| 30009948 Cepilec CV18 EK | | | CV18 EK | CV18 EK |
|--------------------------|------------|-----------------------|-------------------------|------------------------------|
| Poz. | Šifra/Code | Opis | DE | EN |
| 1 | 200004813 | Vijak votli | Hohlschraube | Hollow Screw |
| 2 | 200000685 | Tesnilo | Dichtung | Seal |
| 3 | 200003747 | Hidravlična cev | Hydraulikschlauch | Hydraulic Pipe |
| 4 | 200003748 | Hidravlična cev | Hydraulikschlauch | Hydraulic Pipe |
| 5 | 200001114 | Hidravlična cev | Hydraulikschlauch | Hydraulic Pipe |
| 6 | 300010627 | Prijemalo desno E, EK | Greifhebel rechts E, EK | Log Holder Lever right E, EK |
| 7 | 200005500 | Hidravlična cev | Hydraulikschlauch | Hydraulic Pipe |
| 8 | 300010593 | Loputa | Klappe | Flap |
| 9 | 300010591 | Pogon črpalke EK | Pumpenantrieb EK | Pump Drive EK |
| 10 | 300011076 | Črpalka EK | Pumpe EK | Pump EK |
| 11 | 200002085 | Hidravlična cev | Hydraulikschlauch | Hydraulic Pipe |
| 12 | 200003305 | Objemka | Klemme | Buckle |
| 13 | 200005015 | Cev | Rohr | Pipe |
| 14 | 200007230 | Objemka | Klemme | Buckle |
| 15 | 200000978 | Cev | Rohr | Pipe |
| 16 | 200000041 | Zaščita | Schutz | Protection |
| 17 | 300011243 | Vlečni pripomoček | Fahrwerk mit Zughebel | Wheels with Pulling Handle |

1. Prijemalo desno E, EK / Greifhebel rechts E, EK / Log Holder Lever right E, EK



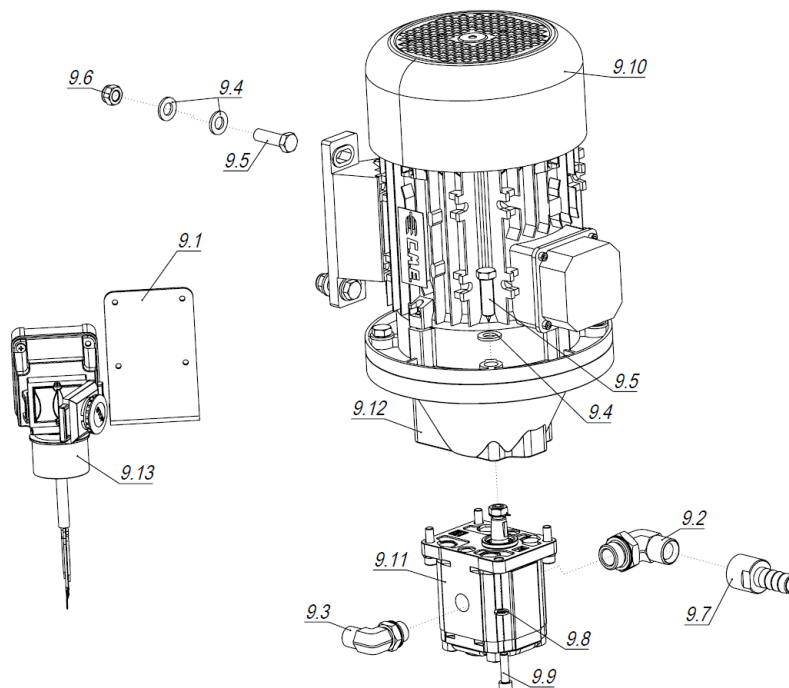
| 300010627 Prijemalo desno E, EK | | | Greifhebel rechts E, EK | Log Holder Lever right E, EK |
|---------------------------------|------------|----------------|-------------------------|------------------------------|
| Poz. | Šifra/Code | Opis | DE | EN |
| 6.1 | 200000086 | Ventil | Ventil | Valve |
| 6.2 | 200000355 | Vijak | Schraube | Screw |
| 6.3 | 200002272 | Priključek | Anschluss | Coupling |
| 6.4 | 200000685 | Tesnilo | Dichtung | Seal |
| 6.5 | 200000836 | Priključek | Anschluss | Coupling |
| 6.6 | 300009406 | Ročka | Schalthebel | Switch Lever |
| 6.7 | 200000523 | Matica | Mutter | Nut |
| 6.8 | 200000396 | Vijak | Schraube | Screw |
| 6.9 | 300009420 | Distančnik | Abstandhalter | Spacer |
| 6.10 | 200000929 | Zglob | Gelenk | Joint |
| 6.11 | 300010892 | Navojna palica | Gewindestange | Thread Rod |
| 6.12 | 200001884 | Vilice | Gabel | Fork |
| 6.13 | 200000502 | Matica | Mutter | Nut |
| 6.14 | 200000505 | Matica | Mutter | Nut |
| 6.15 | 200000506 | Matica | Mutter | Nut |
| 6.16 | 300010626 | Plošča | Platte | Plate |
| 6.17 | 300010891 | Navojna palica | Gewindestange | Thread Rod |
| 6.18 | 200000168 | Ročaj | Griff | Handle |
| 6.19 | 200004595 | Sornik | Bolzen | Pin |
| 6.20 | 200000542 | Podložka | Unterlegscheibe | Washer |

2. Loputa / Klappe / Flap



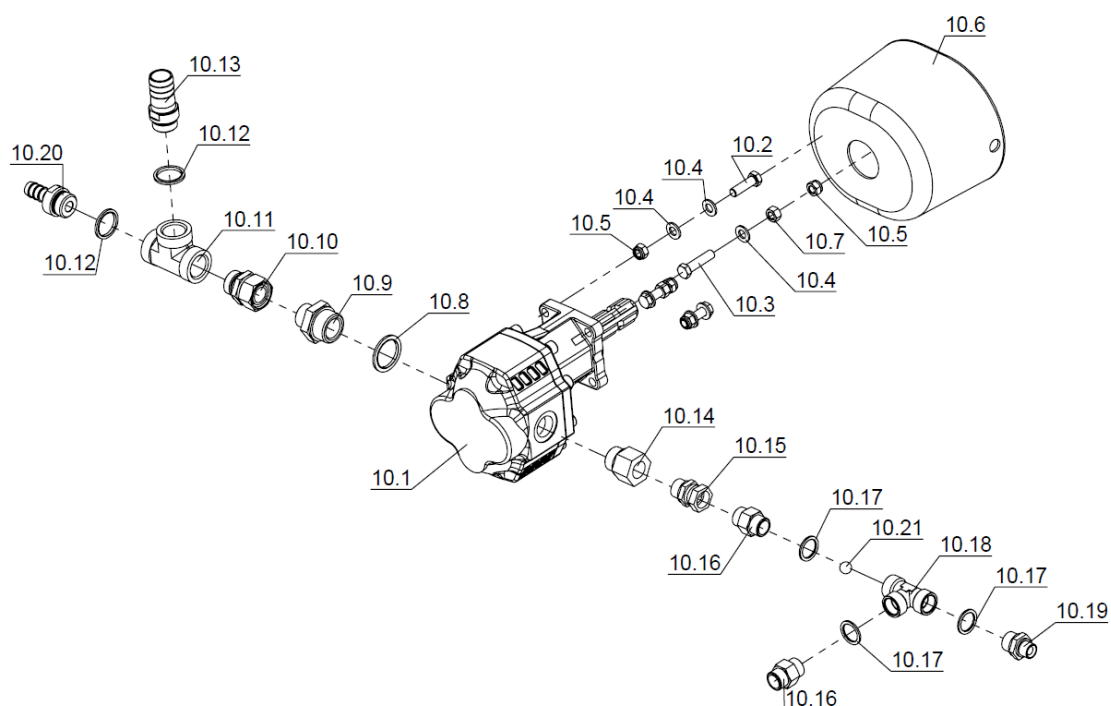
| 300010593 Loputa | | | Klappe | Flap |
|------------------|------------|----------|-----------------|--------|
| Poz. | Šifra/Code | Opis | DE | EN |
| 8.1 | 300010597 | Nosilec | Träger | Holder |
| 8.2 | 200000545 | Podložka | Unterlegscheibe | Washer |
| 8.3 | 200000536 | Podložka | Unterlegscheibe | Washer |
| 8.4 | 300010598 | Loputa | Klappe | Flap |
| 8.5 | 200000381 | Vijak | Schraube | Screw |
| 8.6 | 200000506 | Matica | Mutter | Nut |
| 8.7 | 200000953 | Vijak | Schraube | Screw |
| 8.8 | 200000500 | Matica | Mutter | Nut |
| 8.9 | 200005718 | Vtičnica | Steckdose | Socket |
| 8.10 | 200005973 | Uvodnica | Hülse | Gland |
| 8.11 | 200000547 | Podložka | Unterlegscheibe | Washer |

3. Pogon črpalke EK / Pumpenantrieb EK / Pump Drive EK



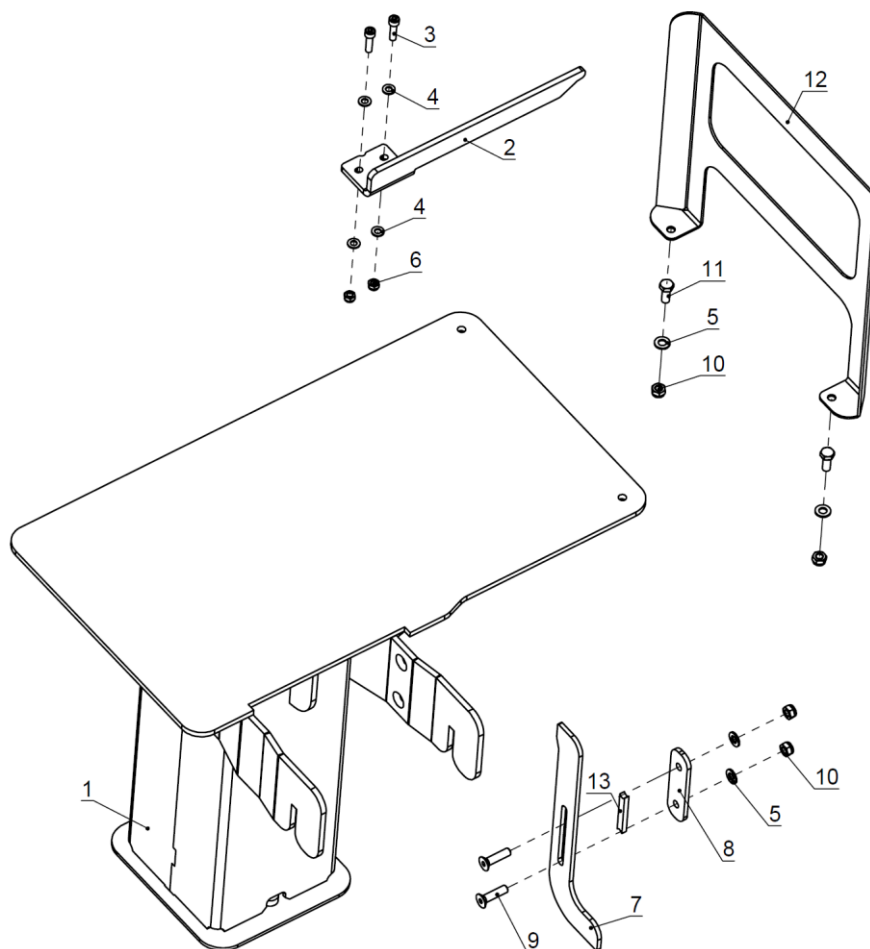
| 300010591 Pogon črpalke EK | | | Pumpenantrieb EK | Pump Drive EK |
|----------------------------|------------|------------|------------------|---------------|
| Poz. | Šifra/Code | Opis | DE | EN |
| 9.1 | 300010589 | Nosilec | Träger | Holder |
| 9.2 | 200000983 | Priključek | Anschluss | Coupling |
| 9.3 | 200002030 | Priključek | Anschluss | Coupling |
| 9.4 | 200000548 | Podložka | Unterlegscheibe | Washer |
| 9.5 | 200003906 | Vijak | Schraube | Screw |
| 9.6 | 200000510 | Matica | Mutter | Nut |
| 9.7 | 300010583 | Priključek | Anschluss | Coupling |
| 9.8 | 200000539 | Podložka | Unterlegscheibe | Washer |
| 9.9 | 200000367 | Vijak | Schraube | Screw |
| 9.10 | 200006520 | El. motor | El. motor | El. motor |
| 9.11 | 200000125 | Črpalka | Pumpe | Pump |
| 9.12 | 200006522 | Prirobnica | Flansche | Flange |
| 9.13 | 200005789 | Stikalo | Schalter | Switch |

4. Črpalka EK / Pumpe EK / Pump EK



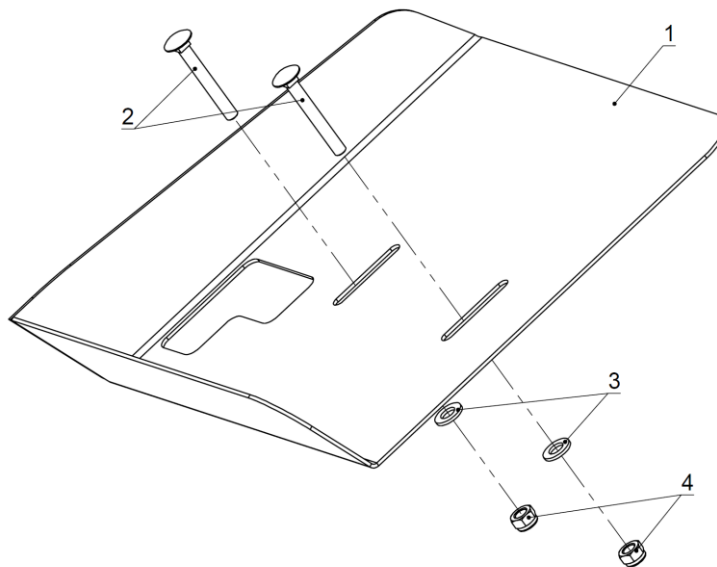
| 300011076 Črpalka EK | | | Pumpe EK | Pump EK |
|----------------------|------------|------------|-----------------|------------------|
| Poz. | Šifra/Code | Opis | DE | EN |
| 10.1 | 200000262 | Črpalka | Pumpe | Pump |
| 10.2 | 200003906 | Vijak | Schraube | Screw |
| 10.3 | 200000421 | Vijak | Schraube | Screw |
| 10.4 | 200000548 | Podložka | Unterlegscheibe | Washer |
| 10.5 | 200000510 | Matica | Mutter | Nut |
| 10.6 | 200000100 | Kapa PVC | Guard PVC | Guard PVC |
| 10.7 | 200000509 | Matica | Mutter | Nut |
| 10.8 | 200001090 | Tesnilo | Dichtung | Seal |
| 10.9 | 200001419 | Priključek | Anschluss | Coupling |
| 10.10 | 200001420 | Priključek | Anschluss | Coupling |
| 10.11 | 200001913 | Priključek | Anschluss | Coupling |
| 10.12 | 200000943 | Tesnilo | Dichtung | Seal |
| 10.13 | 300010783 | Priključek | Anschluss | Coupling |
| 10.14 | 200001912 | Reducir | Reduzier | Reducer Coupling |
| 10.15 | 200001421 | Priključek | Anschluss | Coupling |
| 10.16 | 200003237 | Priključek | Anschluss | Coupling |
| 10.17 | 200000685 | Tesnilo | Dichtung | Seal |
| 10.18 | 200003235 | Priključek | Anschluss | Coupling |
| 10.19 | 200003238 | Priključek | Anschluss | Coupling |
| 10.20 | 300010595 | Priključek | Anschluss | Coupling |
| 10.21 | 200003851 | Kroglica | Kugel | Ball |

4. Miza / Tisch / Table



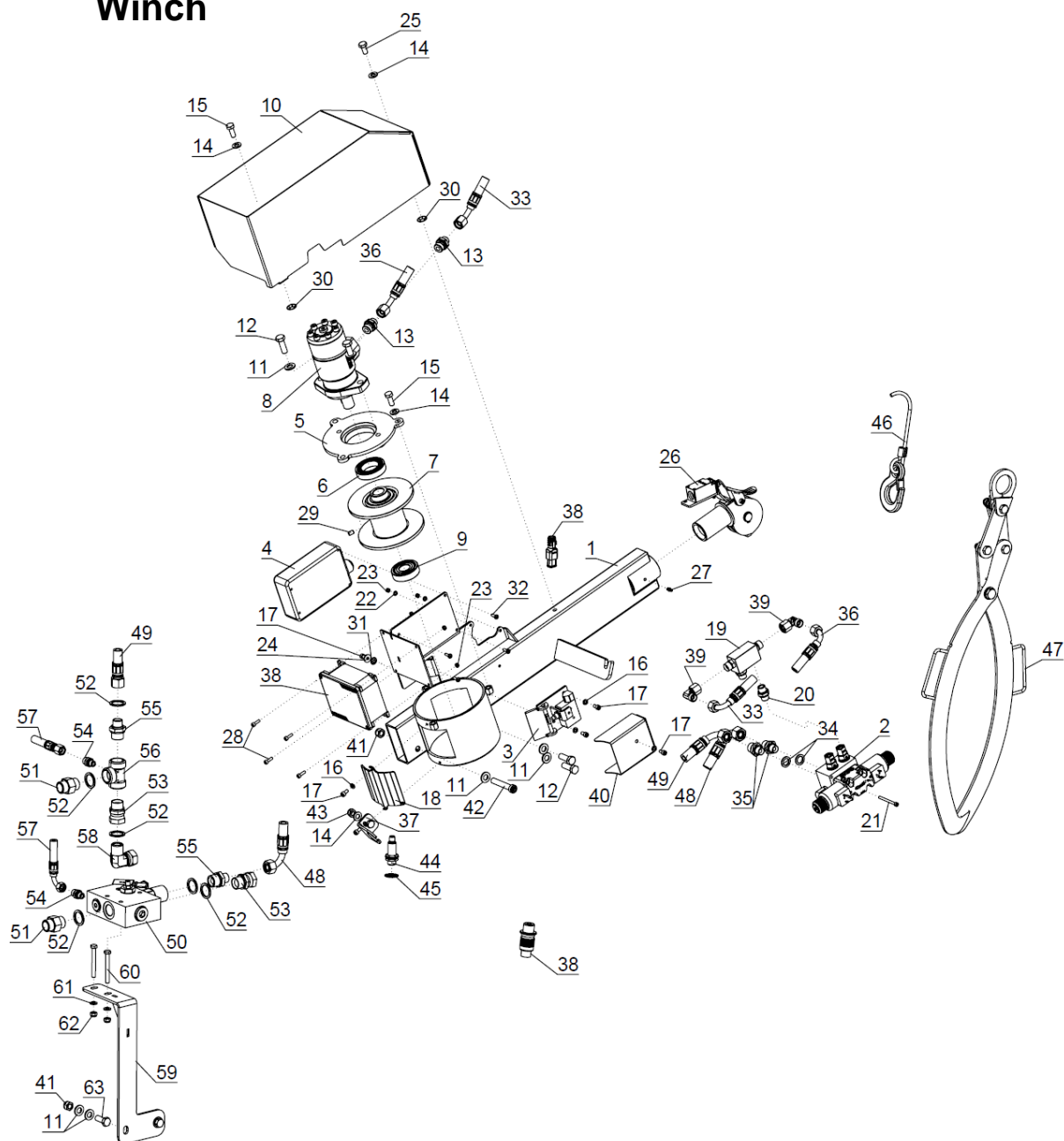
| 300010000 Miza | | | Tisch | Table |
|----------------|------------|------------------|-------------------|-----------------|
| Poz. | Šifra/Code | Opis | DE | EN |
| 1 | 300009993 | Miza | Tisch | Table |
| 2 | 300009999 | Obešalo cilindra | Zylinderaufhänger | Cylinder Hanger |
| 3 | 200000367 | Vijak | Schraube | Screw |
| 4 | 200000540 | Podložka | Unterlegscheibe | Washer |
| 5 | 200000545 | Podložka | Unterlegscheibe | Washer |
| 6 | 200000503 | Matica | Mutter | Nut |
| 7 | 300009998 | Kavelj | Hacken | Hook |
| 8 | 300009997 | Plošča | Platte | Plate |
| 9 | 200000389 | Vijak | Schraube | Screw |
| 10 | 200000506 | Matica | Mutter | Nut |
| 11 | 200000385 | Vijak | Schraube | Screw |
| 12 | 300009996 | Zaščita | Schutz | Protection |
| 13 | 300009994 | Drnsnik | Führungsgleiter | Guide Slider |

5. Pomožna miza dviga / Zusätzliche Hubvorrichtungplatte / Lifting device plate



| 300010007 Pomožna miza dviga | | | Zusätzliche Hubvorrichtungplatte | Lifting device plate |
|------------------------------|------------|----------|----------------------------------|----------------------|
| Poz. | Šifra/Code | Opis | DE | EN |
| 1 | 300010004 | Miza | Tisch | Table |
| 2 | 200005757 | Vijak | Schraube | Screw |
| 3 | 200000545 | Podložka | Unterlegscheibe | Washer |
| 4 | 200000506 | Matica | Mutter | Nut |

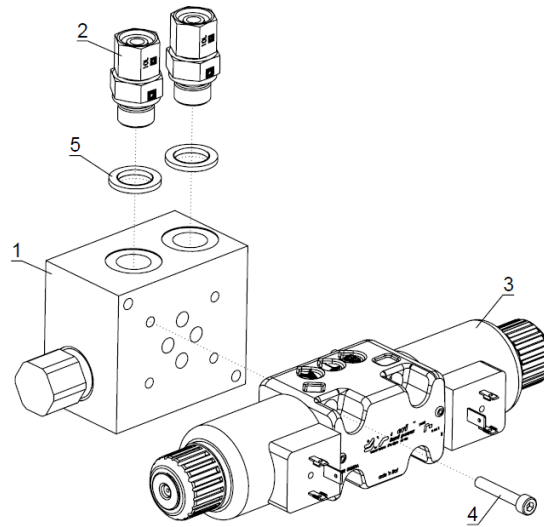
6. Hidravlični vitel / Hydraulische Winde / Hydraulic Winch



| 300010113 Hidravlični vitel | | | Hydraulische Winde | Hydraulic Winch |
|-----------------------------|------------|-------------|------------------------|--------------------------|
| Poz. | Šifra/Code | Opis | DE | EN |
| 1 | 300016859 | Ohišje | Gehäuse | Housing |
| 2 | 300010114 | Ventil | Ventil | Valve |
| 3 | 300010098 | Ohišje | Gehäuse | Housing |
| 4 | 200008599 | Sprejemnik | Empfänger | Receiver |
| 5 | 300010111 | Prirobnica | Flansche | Flange |
| 6 | 200000008 | Ležaj | Lager | Bearing |
| 7 | 300010103 | Boben | Trommel | Drum |
| 8 | 300013570 | Hidromotor | Hydromotor | Hydromotor |
| 9 | 200000611 | Ležaj | Lager | Bearing |
| 10 | 300010107 | Zaščita | Schutz | Protection |
| 11 | 200000548 | Podložka | Unterlegscheibe | Washer |
| 12 | 200000417 | Vijak | Schraube | Screw |
| 13 | 200002048 | Dvovijačnik | Doppeltgewindekupplung | Double Threaded Coupling |
| 14 | 200000545 | Podložka | Unterlegscheibe | Washer |

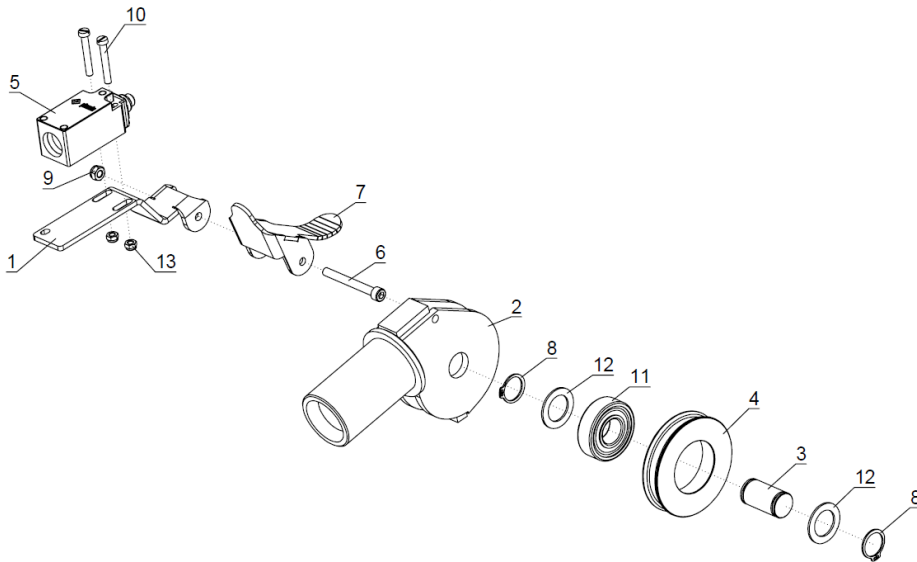
| | | | | |
|----|-----------|-------------------|-------------------|--------------------|
| 15 | 20000381 | Vijak | Schraube | Screw |
| 16 | 20000536 | Podložka | Unterlegscheibe | Washer |
| 17 | 200006011 | Vijak | Schraube | Screw |
| 18 | 300010073 | Pokrov | Deckel | Cover |
| 19 | 200001166 | Ventil razdelilni | Verteilerventil | Distribution Valve |
| 20 | 200000980 | Priključek | Anschluss | Coupling |
| 21 | 200000344 | Vijak | Schraube | Screw |
| 22 | 200000535 | Podložka | Unterlegscheibe | Washer |
| 23 | 200000517 | Matica | Mutter | Nut |
| 24 | 200000537 | Podložka | Unterlegscheibe | Washer |
| 25 | 200000380 | Vijak | Schraube | Screw |
| 26 | 300010112 | Škripec | Seilrolle | Pulley |
| 27 | 200000601 | Mazalka | Schmiernippel | Lubrication Nipple |
| 28 | 200003516 | Vijak | Schraube | Screw |
| 29 | 200004462 | Vijak | Schraube | Screw |
| 30 | 200005367 | Obroč | Ring | Ring |
| 31 | 200005365 | Obroč | Ring | Ring |
| 32 | 200004266 | Vijak | Schraube | Screw |
| 33 | 200005269 | Hidravlična cev | Hydraulikschlauch | Hydraulic Pipe |
| 34 | 200001914 | Tesnilo | Dichtung | Seal |
| 35 | 200000981 | Priključek | Anschluss | Coupling |
| 36 | 200005270 | Hidravlična cev | Hydraulikschlauch | Hydraulic Pipe |
| 37 | 300011179 | Nosilec | Träger | Holder |
| 38 | 300016851 | El. omarica | El. Kasten | El. Cabinet |
| 39 | 200002538 | Priključek | Anschluss | Coupling |
| 40 | 300010089 | Zaščita | Schutz | Protection |
| 41 | 200000510 | Matica | Mutter | Nut |
| 42 | 200006192 | Vijak | Schraube | Screw |
| 43 | 200000506 | Matica | Mutter | Nut |
| 44 | 200005665 | Senzor | Sensor | Sensor |
| 45 | 200004714 | Podložka | Unterlegscheibe | Washer |
| 46 | 300012317 | Pletenica | Drahtseil | Wire Rope |
| 47 | 300010021 | Klešče | Zange | Tongs |
| 48 | 200005192 | Hidravlična cev | Hydraulikschlauch | Hydraulic Pipe |
| 49 | 200005189 | Hidravlična cev | Hydraulikschlauch | Hydraulic Pipe |
| 50 | 200001263 | Ventil | Ventil | Valve |
| 51 | 200000836 | Priključek | Anschluss | Coupling |
| 52 | 200000685 | Tesnilo | Dichtung | Seal |
| 53 | 200001421 | Priključek | Anschluss | Coupling |
| 54 | 200000975 | Priključek | Anschluss | Coupling |
| 55 | 200002272 | Priključek | Anschluss | Coupling |
| 56 | 300013450 | Priključek | Anschluss | Coupling |
| 57 | 200005191 | Hidravlična cev | Hydraulikschlauch | Hydraulic Pipe |
| 58 | 200001786 | Priključek | Anschluss | Coupling |
| 59 | 300018005 | Nosilec | Träger | Holder |
| 60 | 200000375 | Vijak | Schraube | Screw |
| 61 | 200000540 | Podložka | Unterlegscheibe | Washer |
| 62 | 200000503 | Matica | Mutter | Nut |
| 63 | 200000415 | Vijak | Schraube | Screw |

1. Ventil / Ventil / Valve



| 300010114 Ventil | | | Ventil | Valve |
|------------------|------------|------------|-----------|----------|
| Poz. | Šifra/Code | Opis | DE | EN |
| 1 | 200003116 | Blok | Block | Block |
| 2 | 200005705 | Priključek | Anschluss | Coupling |
| 3 | 200002684 | Ventil | Ventil | Valve |
| 4 | 200001902 | Vijak | Schraube | Screw |
| 5 | 200001914 | Tesnilo | Dichtung | Seal |

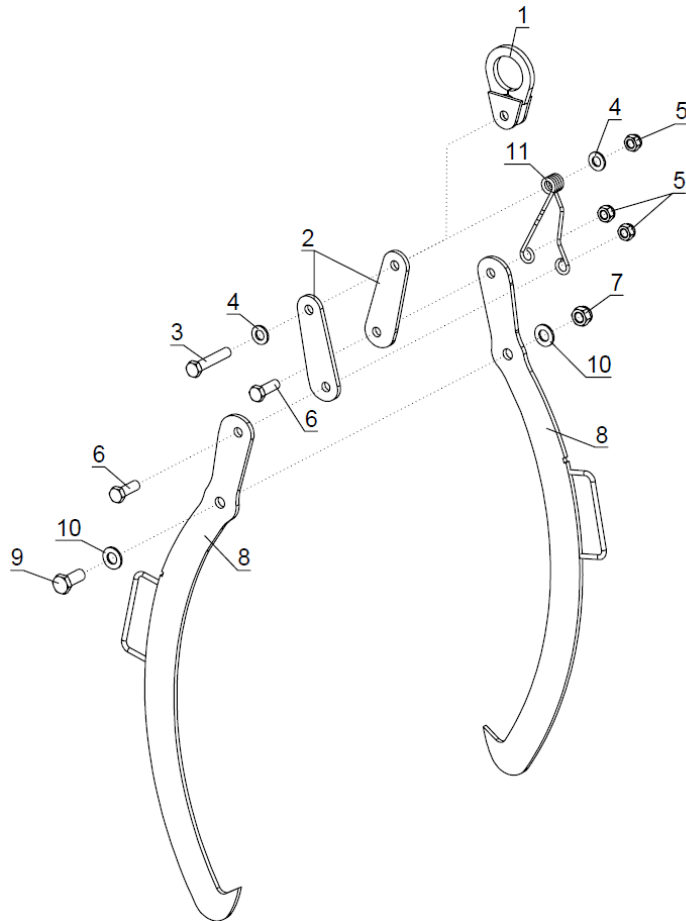
2. Škripec / Seilrolle / Pulley



| 300010112 Škripec | | | Seilrolle | Pulley |
|-------------------|------------|----------------|----------------|------------|
| Poz. | Šifra/Code | Opis | DE | EN |
| 1 | 300010066 | Nosilec | Träger | Holder |
| 2 | 300010072 | Ohišje | Gehäuse | Housing |
| 3 | 300010110 | Sornik | Bolzen | Pin |
| 4 | 300010067 | Vrvenica | Seilrolle | Sheave |
| 5 | 200000927 | Stikalo | Schalter | Switch |
| 6 | 200001802 | Vijak | Schraube | Screw |
| 7 | 300010065 | Izklop stikala | Ausschalter | Switch Off |
| 8 | 200001431 | Vskočnik | Sicherungsring | Circlip |
| 9 | 200000500 | Matica | Mutter | Nut |

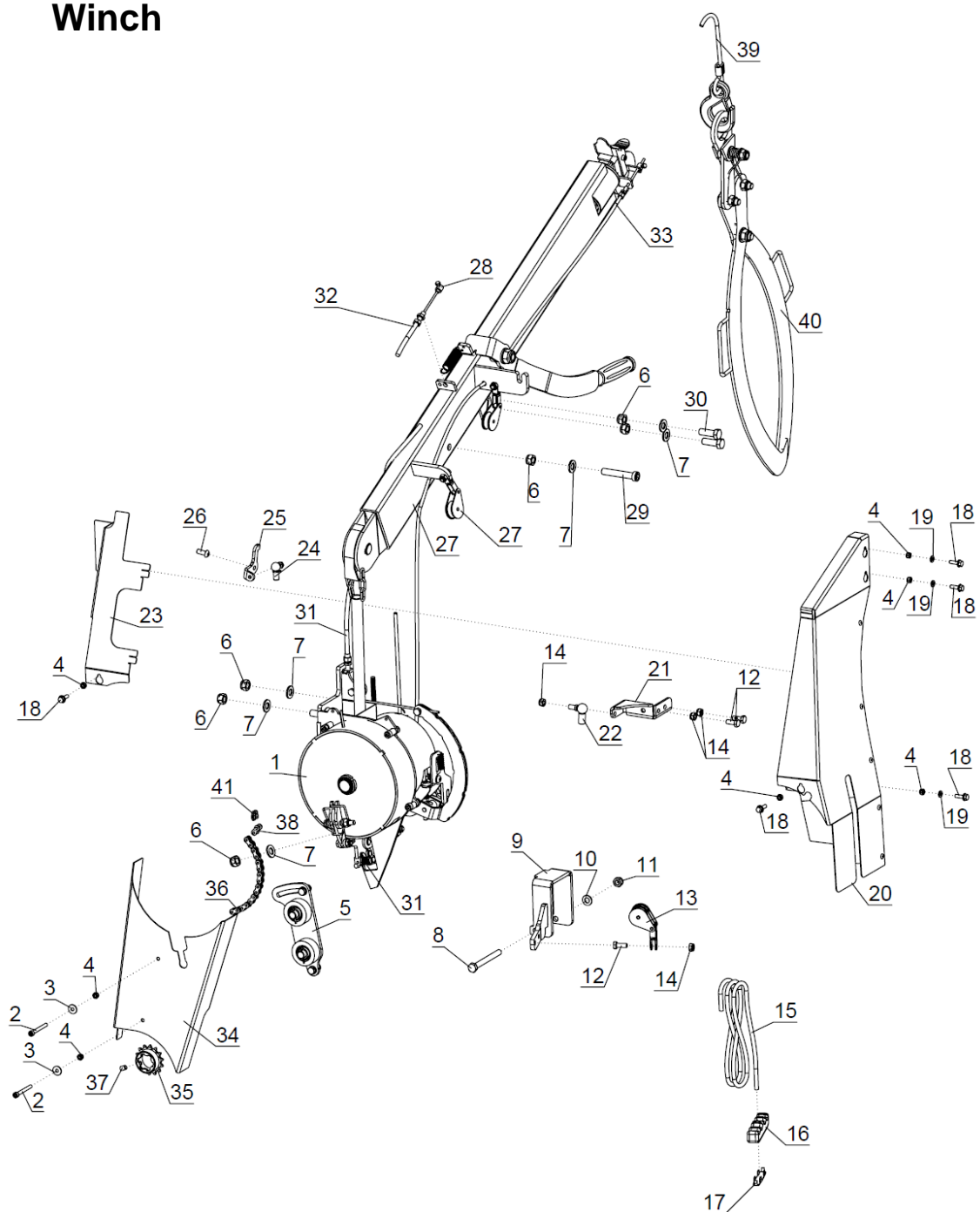
| | | | | |
|----|-----------|--------------------|----------------|---------------|
| 10 | 200000341 | Vijak | Schraube | Screw |
| 11 | 200000609 | Ležaj | Lager | Bearing |
| 12 | 300007005 | Podložka distančna | Distanzscheibe | Washer Spacer |
| 13 | 200000517 | Matica | Mutter | Nut |

3. Klešče / Zange / Tongs



| 300010021 Klešče | | | Zange | Tongs |
|------------------|------------|----------|-----------------|------------|
| Poz. | Šifra/Code | Opis | DE | EN |
| 1 | 300010019 | Uho | Öse | Loop |
| 2 | 300010020 | Poteznik | Ziehelement | Draw Lever |
| 3 | 200008021 | Vijak | Schraube | Screw |
| 4 | 200000548 | Podložka | Unterlegscheibe | Washer |
| 5 | 200000510 | Matica | Mutter | Nut |
| 6 | 200000417 | Vijak | Schraube | Screw |
| 7 | 200000512 | Matica | Mutter | Nut |
| 8 | 300010014 | Krak | Greiferarm | Grab Arm |
| 9 | 200000440 | Vijak | Schraube | Screw |
| 10 | 200000552 | Podložka | Unterlegscheibe | Washer |
| 11 | 200000144 | Vzmet | Feder | Spring |

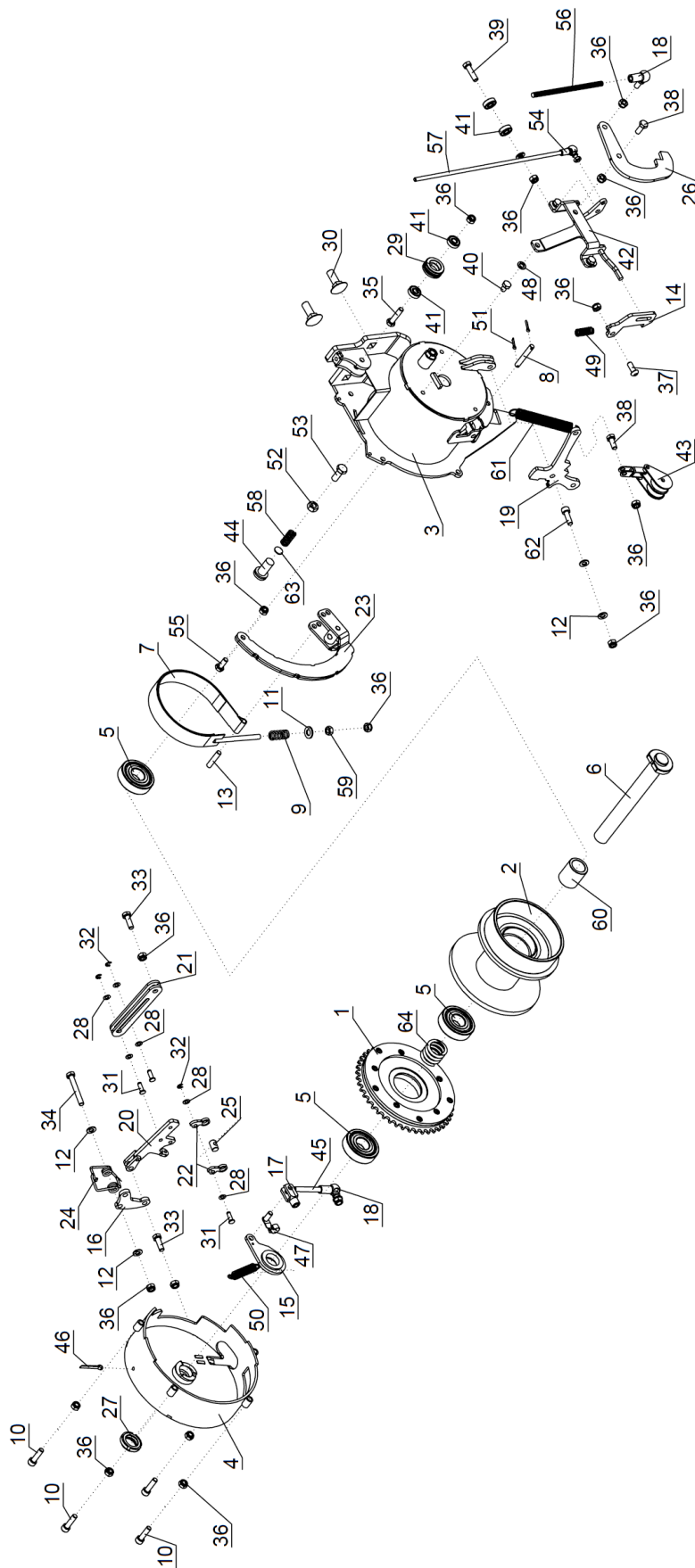
7. Mehanski vitel / Mechanische Winde / Mechanical Winch



| 300015128 Mehanski vitel | | Mechanische Winde | | Mechanical Winch | |
|--------------------------|------------|--------------------|-----------------|----------------------|--|
| Poz. | Šifra/Code | Opis | DE | EN | |
| 1 | 300015127 | Vitel | Winde | Winch | |
| 2 | 200001802 | Vijak | Schraube | Screw | |
| 3 | 200000537 | Podložka | Unterlegscheibe | Washer | |
| 4 | 200000500 | Matica | Mutter | Nut | |
| 5 | 300015086 | Zategovalec verige | Kettetraffer | Chain Band Tensioner | |
| 6 | 200000510 | Matica | Mutter | Nut | |
| 7 | 200000548 | Podložka | Unterlegscheibe | Washer | |
| 8 | 200002016 | Vijak | Schraube | Screw | |
| 9 | 300015110 | Objemka | Klemme | Buckle | |
| 10 | 200000545 | Podložka | Unterlegscheibe | Washer | |

| | | | | |
|----|-----------|-------------------------|------------------|-----------------|
| 11 | 200000506 | Matica | Mutter | Nut |
| 12 | 200000361 | Vijak | Schraube | Screw |
| 13 | 200007407 | Škripec | Seilrolle | Pulley |
| 14 | 200000503 | Matica | Mutter | Nut |
| 15 | 200000146 | Vrv | Schnur | Cord |
| 16 | 200000991 | Ročka | Griff | Handle |
| 17 | 200001540 | Pokrov | Deckel | Cover |
| 18 | 200005265 | Vijak | Schraube | Screw |
| 19 | 200000536 | Podložka | Unterlegscheibe | Washer |
| 20 | 300015119 | Zaščita | Schutz | Protection |
| 21 | 300015108 | Vklopno izklopni profil | Umschaltprofil | Switch Profile |
| 22 | 200000929 | Zglob | Gelenk | Joint |
| 23 | 300015113 | Zaščita | Schutz | Protection |
| 24 | 200007445 | Zglob | Gelenk | Joint |
| 25 | 300015098 | Zaklep | Sperre | Lock |
| 26 | 200001800 | Vijak | Schraube | Screw |
| 27 | 300015131 | Drog vitla | Windenstange | Winch Bar |
| 28 | 200007443 | Priključek | Anschluss | Coupling |
| 29 | 200006192 | Vijak | Schraube | Screw |
| 30 | 200000417 | Vijak | Schraube | Screw |
| 31 | 200002022 | Vzmet | Feder | Spring |
| 32 | 200007427 | Bovden | Bowdenzug | Bowden Cable |
| 33 | 200007428 | Bovden | Bowdenzug | Bowden Cable |
| 34 | 300015114 | Zaščita | Schutz | Protection |
| 35 | 300012364 | Verižnik | Kettenrad | Chain Wheel |
| 36 | 200001829 | Veriga | Kette | Chain |
| 37 | 200004462 | Vijak | Schraube | Screw |
| 38 | 200000031 | Spojni člen | Verbindungsglied | Connecting Link |
| 39 | 300012317 | Pletenica | Drahtseil | Wire Rope |
| 40 | 300010021 | Klešče | Zange | Tongs |
| 41 | 200002860 | Spojni člen | Verbindungsglied | Connecting Link |

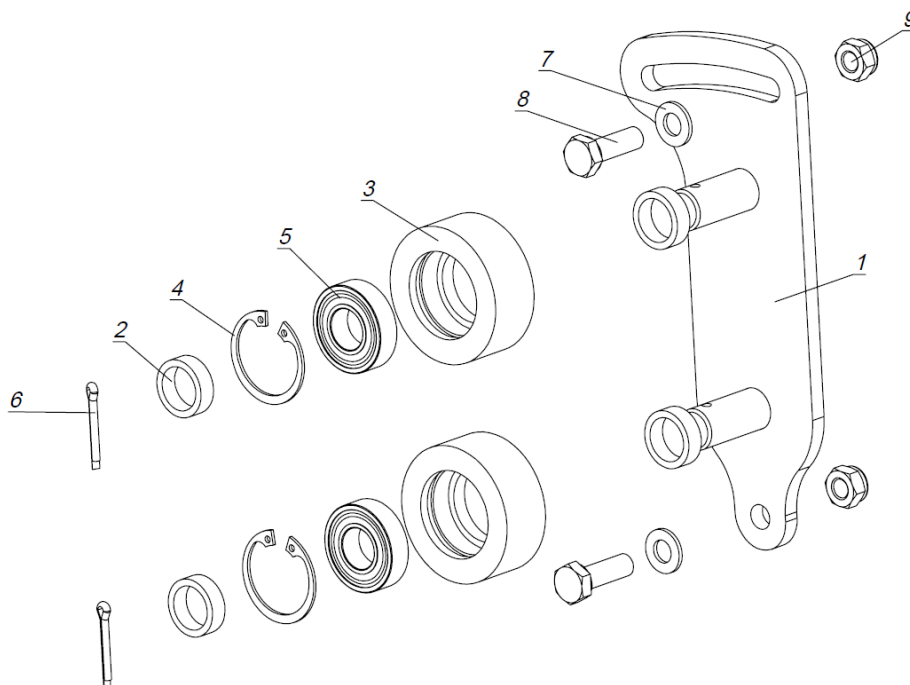
1. Vitel / Winde / Winch



| 300015127 Vitel | | | Winde | Winch |
|-----------------|------------|----------------|-----------------|--------------|
| Poz. | Šifra/Code | Opis | DE | EN |
| 1 | 300011900 | Verižnik | Kettenrad | Chain wheel |
| 2 | 300015133 | Boben | Trommel | Drum |
| 3 | 300015073 | Ohišje | Gehäuse | Housing |
| 4 | 300015071 | Pokrov | Deckel | Cover |
| 5 | 200000611 | Ležaj | Lager | Bearing |
| 6 | 300015122 | Os | Achse | Axle |
| 7 | 300015044 | Zavorni pas | Bremsband | Brake Belt |
| 8 | 300015033 | Sornik | Bolzen | Pin |
| 9 | 200007431 | Vzmet | Feder | Spring |
| 10 | 200000367 | Vijak | Schraube | Screw |
| 11 | 200000545 | Podložka | Unterlegscheibe | Washer |
| 12 | 200000540 | Podložka | Unterlegscheibe | Washer |
| 13 | 300015036 | Sornik | Bolzen | Pin |
| 14 | 300015103 | Zaklep | Schloss | Lock |
| 15 | 300015120 | Ročica | Hebel | Lever |
| 16 | 300015104 | Vzvod | Hebel | Lever |
| 17 | 200001884 | Vilice | Gabel | Fork |
| 18 | 200000929 | Zglob | Gelenk | Joint |
| 19 | 300015096 | Ročica | Hebel | Lever |
| 20 | 300015074 | Vzvod | Hebel | Lever |
| 21 | 300015067 | Poteznik | Ziehelement | Draw Lever |
| 22 | 300015068 | Zaklep | Schloss | Lock |
| 23 | 300015078 | Ročica | Hebel | Lever |
| 24 | 200007430 | Vzmet | Feder | Spring |
| 25 | 200007444 | Priključek | Anschluss | Coupling |
| 26 | 300015100 | Zaklep | Schloss | Lock |
| 27 | 200001587 | Matica | Mutter | Nut |
| 28 | 200007562 | Podložka | Unterlegscheibe | Washer |
| 29 | 300009972 | Preusmeritev | Ablenkung | Redirection |
| 30 | 200000416 | Vijak | Schraube | Screw |
| 31 | 300015034 | Sornik | Bolzen | Pin |
| 32 | 200007442 | Vskočnik | Sicherungsring | Circlip |
| 33 | 200000365 | Vijak | Schraube | Screw |
| 34 | 200005553 | Vijak | Schraube | Screw |
| 35 | 200001682 | Vijak | Schraube | Screw |
| 36 | 200000503 | Matica | Mutter | Nut |
| 37 | 200001800 | Vijak | Schraube | Screw |
| 38 | 200000361 | Vijak | Schraube | Screw |
| 39 | 200000791 | Vijak | Schraube | Screw |
| 40 | 200004138 | Vijak | Schraube | Screw |
| 41 | 200005160 | Ležaj | Lager | Bearing |
| 42 | 300015094 | Izklop | Ausschalter | Switch Off |
| 43 | 200007407 | Škripec | Windenrolle | Winch pulley |
| 44 | 300013354 | Čep | Zapfen | Plug |
| 45 | 200007439 | Navojna palica | Gewindestange | Thread Rod |
| 46 | 200000564 | Razcepka | Splinte | Cotter Pin |
| 47 | 200004595 | Sornik | Bolzen | Pin |
| 48 | 200000539 | Podložka | Unterlegscheibe | Washer |
| 49 | 200002022 | Vzmet | Feder | Spring |
| 50 | 200007432 | Vzmet | Feder | Spring |
| 51 | 200001825 | Razcepka | Splinte | Cotter Pin |
| 52 | 200000505 | Matica | Mutter | Nut |
| 53 | 200000381 | Vijak | Schraube | Screw |
| 54 | 200007445 | Zglob | Gelenk | Joint |
| 55 | 200007823 | Vijak | Schraube | Screw |
| 56 | 300010891 | Navojna palica | Gewindestange | Thread Rod |
| 57 | 200007440 | Navojna palica | Gewindestange | Thread Rod |
| 58 | 200000102 | Vzmet | Feder | Spring |
| 59 | 200000502 | Matica | Mutter | Nut |
| 60 | 300015069 | Puša | Büchse | Bushing |
| 61 | 200000621 | Vzmet | Feder | Spring |
| 62 | 200000363 | Vijak | Schraube | Screw |

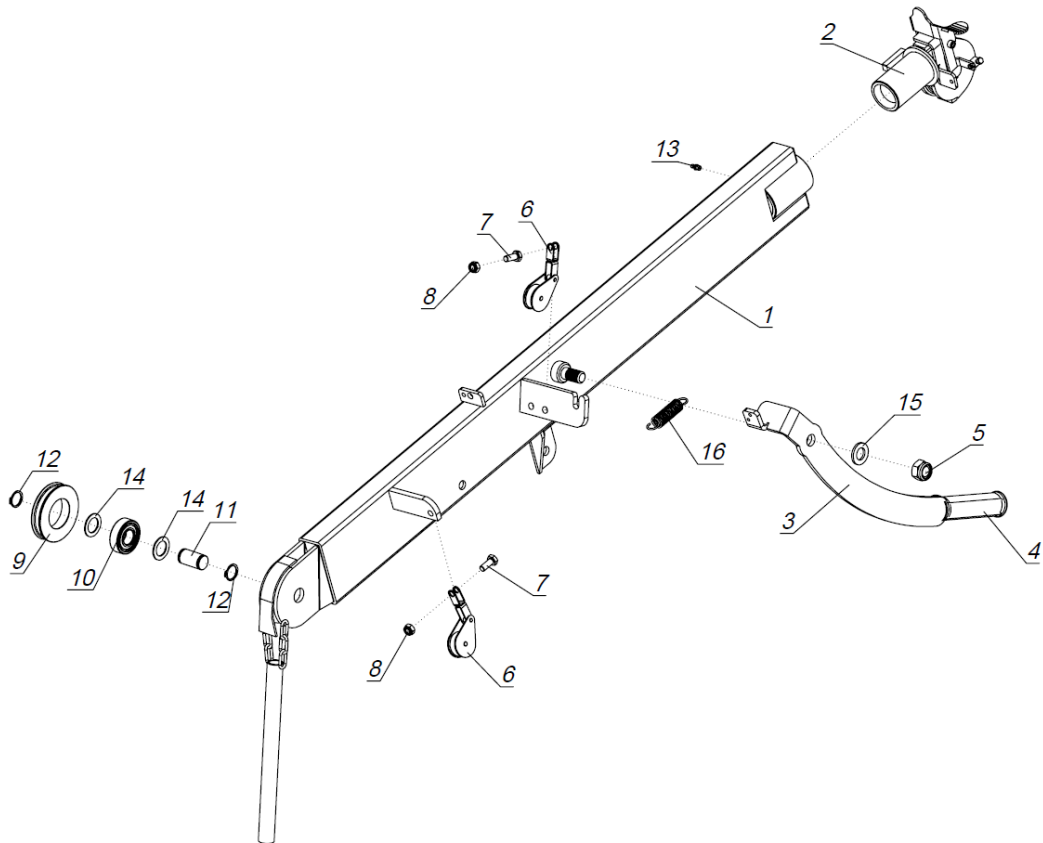
| | | | | |
|----|-----------|----------|-----------------|--------|
| 63 | 300006940 | Podložka | Unterlegscheibe | Washer |
| 64 | 200000109 | Vzmet | Feder | Spring |

2. Zategovalec verige / Kettetraffer / Chain Band Tensioner



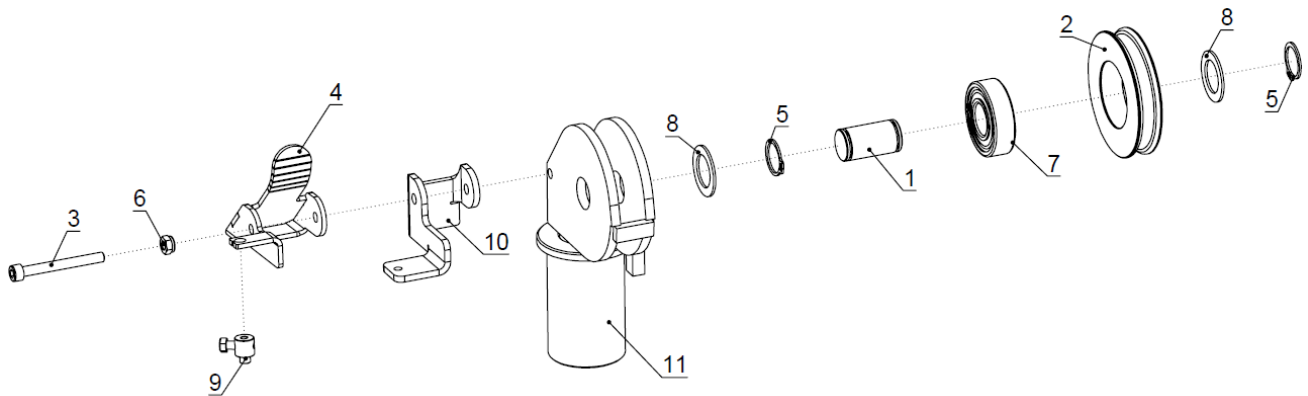
| 300015086 Zategovalec verige | | | Kettetraffer | Chain Band Tensioner |
|------------------------------|------------|--------------------|-----------------|----------------------|
| Poz. | Šifra/Code | Opis | DE | EN |
| 1 | 300015085 | Zategovalec verige | Kettetraffer | Chain Band Tensioner |
| 2 | 300007384 | Puša | Büchse | Bushing |
| 3 | 300007383 | Kolo | Rad | Wheel |
| 4 | 200000590 | Vskočnik | Sicherungsring | Circlip |
| 5 | 200000007 | Ležaj | Lager | Bearing |
| 6 | 200000563 | Razcepka | Splinte | Cotter Pin |
| 7 | 200000540 | Podložka | Unterlegscheibe | Washer |
| 8 | 200000365 | Vijak | Schraube | Screw |
| 9 | 200000503 | Matica | Mutter | Nut |

3. Drog vitla / Windenstange / Winch Bar



| 300015131 Drog | | | Windenstange | Winch Bar |
|----------------|------------|--------------------|-----------------|--------------------|
| Poz. | Šifra/Code | Opis | DE | EN |
| 1 | 300015051 | Drog | Stange | Bar |
| 2 | 300015126 | Mehanizem | Mechanismus | Mechanism |
| 3 | 300015082 | Ročica | Hebel | Lever |
| 4 | 200000168 | Ročaj | Griff | Grip |
| 5 | 200000523 | Matica | Mutter | Nut |
| 6 | 200007408 | Škripec | Windenrolle | Winch pulley |
| 7 | 200000361 | Vijak | Schraube | Screw |
| 8 | 200000503 | Matica | Mutter | Nut |
| 9 | 300010067 | Kolut | Scheibe | Disc |
| 10 | 200000609 | Ležaj | Lager | Bearing |
| 11 | 300010110 | Sornik | Bolzen | Pin |
| 12 | 200001431 | Vskočnik | Sicherungsring | Circlip |
| 13 | 200000601 | Mazalka | Schmiernippel | Lubrication Nipple |
| 14 | 300007005 | Podložka distančna | Distanzscheibe | Washer Spacer |
| 15 | 200000555 | Podložka | Unterlegscheibe | Washer |
| 16 | 200007434 | Vzmet | Feder | Spring |

3.1 Mehanizem / Mechanismus / Mechanism



| 300015126 Mehanizem | | | Mechanismus | Mechanism |
|---------------------|------------|--------------------|----------------|---------------|
| Poz. | Šifra/Code | Opis | DE | EN |
| 1 | 300010110 | Sornik | Bolzen | Pin |
| 2 | 300010067 | Kolut | Scheibe | Disc |
| 3 | 200001802 | Vijak | Schraube | Screw |
| 4 | 300015090 | Izklop | Ausschalter | Switch Off |
| 5 | 200001431 | Vskočnik | Sicherungsring | Circlip |
| 6 | 200000500 | Matica | Mutter | Nut |
| 7 | 200000609 | Ležaj | Lager | Bearing |
| 8 | 300007005 | Podložka distančna | Distanzscheibe | Washer Spacer |
| 9 | 200007443 | Priključek | Anschluss | Coupling |
| 10 | 300015095 | Nosilec | Träger | Holder |
| 11 | 300015125 | Ohišje | Gehäuse | Housing |